

FSB

Flush pulls
for sliding doors



available in the US through

index-d

877-777-0592

www.index-d.com

Open and closed flush pulls by FSB

FSB delivers a formally and functionally innovative hardware solution for sliding doors in the form of closed and open flush pulls. Made in stainless steel and aluminium, its new recessed handles echo the architectural trend towards the flush-mounting of functional appliances.

Smooth as you like: the blanking flap

Our new closed flush pulls ensure a uniform appearance for the door leaf. The operating aperture is always blanked out by a flap that springs neatly into the closed position when the hardware is not being used. Two modes of assembly are possible: the flat perimeter may be surface-mounted to the door or be fully recessed. The handles

are designed in such a way that untidily or inaccurately machined edges can be concealed by means of the surface-mounted perimeter. But the fittings really come into their own if completely flush recessed. Hardware and door are suffused into a single entity – the door's design credentials are significantly enhanced. No visible fastenings are needed.

The closed version boasts more than just aesthetic qualities, though. The user soon learns to appreciate the playful pleasure of flicking the flap alternately to the left and right. Soiling is reduced, moreover – particles of dust have virtually no chance of lodging in the aperture. Flush pulls are generally

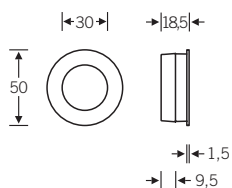
fitted on timber doors. The leaf or frame is machined to accept the hardware, which is then clipped or glued in place as required.

Bespoke solutions

FSB manufactures small flush pulls for lightweight doors, as well as larger variants for heavy-duty doors, in square/rectangular and round/oblong designs respectively. Round flush pull 4254 requires a cut-out just 17 mm in depth, for example. It is just the job for small, lightweight sliding doors as well as for fitted furnishings or furniture in general. Customised finishes are also provided for.

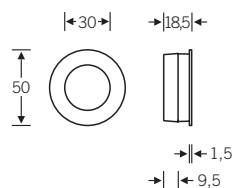
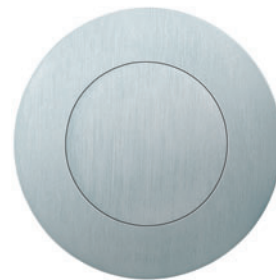
4254

- Aluminium
- Stainless steel



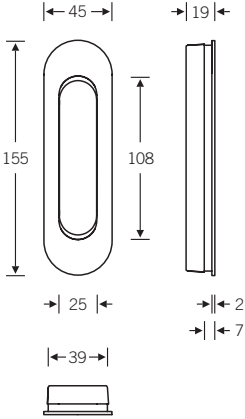
4254 0001

- Aluminium
- Stainless steel



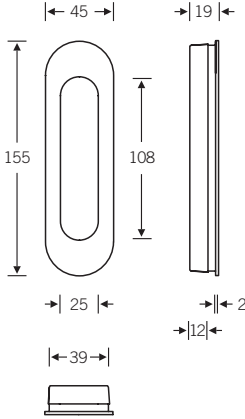
4250

- Aluminium
- Stainless steel



4250 0001

- Aluminium
- Stainless steel



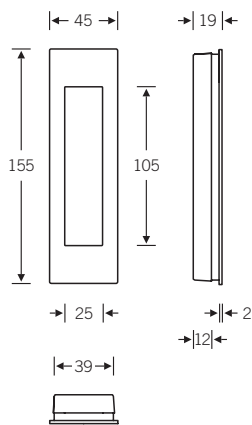
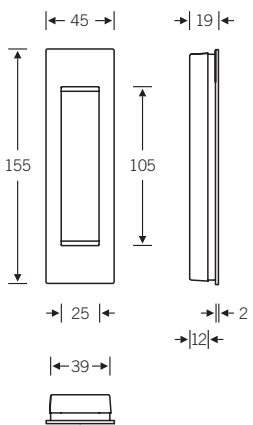
4251

- Aluminium
- Stainless steel



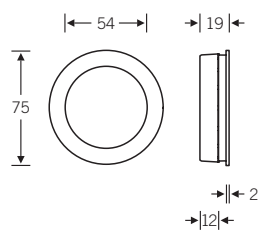
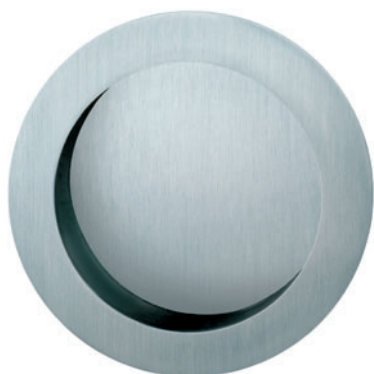
4251 0001

- Aluminium
- Stainless steel



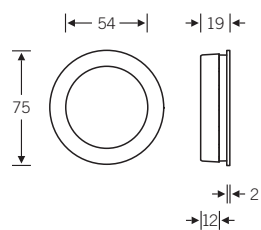
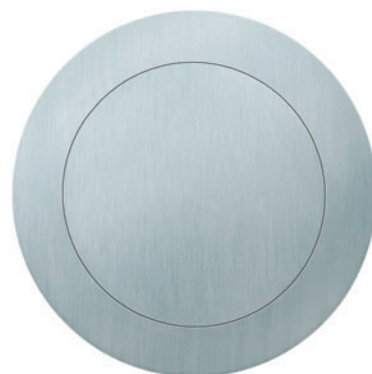
4252

- Aluminium
- Stainless steel



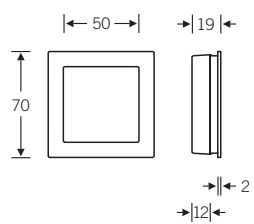
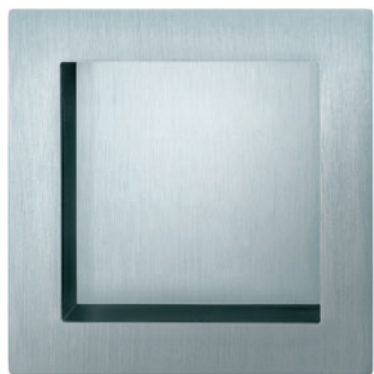
4252 0001

- Aluminium
- Stainless steel



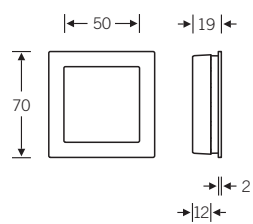
4253

- Aluminium
- Stainless steel



4253 0001

- Aluminium
- Stainless steel

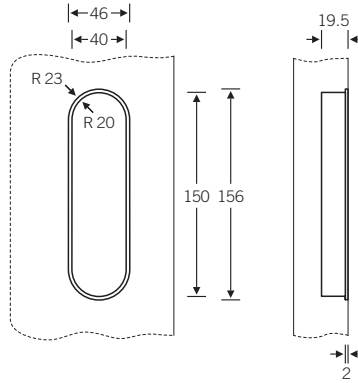


Machining dimensions

We recommend individually checking that flush pulls fit properly by machining trial recesses – especially where the hardware is to be completely flush-fitted.

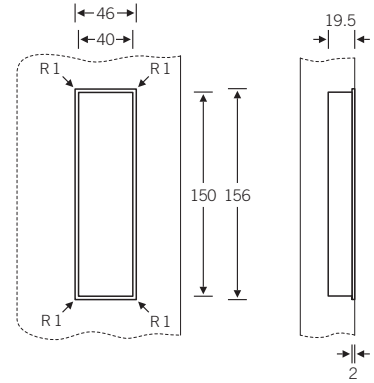
4250 / 4250 0001

surface-mounted: 150 x R 20 x 17.5 mm
flush-mounted: cf. drawing



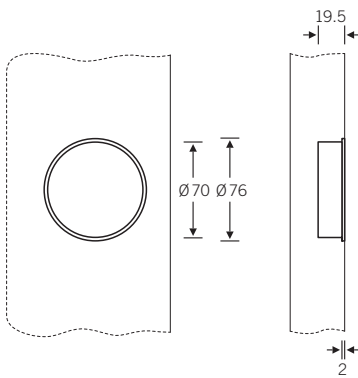
4251 / 4251 0001

surface-mounted: 150 x 40 x 17.5 mm
flush-mounted: cf. drawing



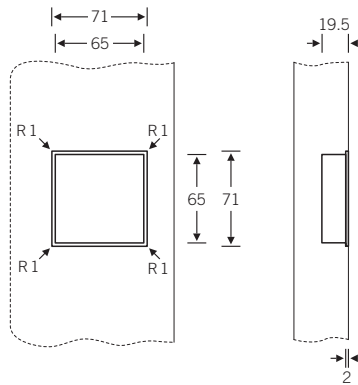
4252 / 4252 0001

surface-mounted: $\varnothing 70$ x 17.5 mm
flush-mounted: cf. drawing



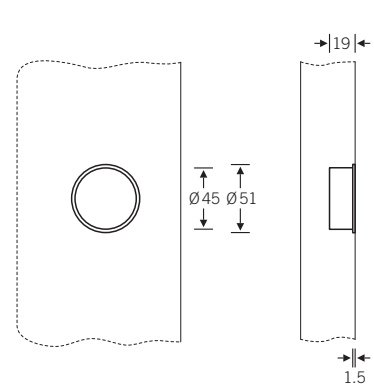
4253 / 4253 0001

surface-mounted: 65 x 65 x 17.5 mm
flush-mounted: cf. drawing



4254 / 4254 0001

surface-mounted: $\varnothing 45$ x 17.5 mm
flush-mounted: cf. drawing



Franz Schneider
Brakel GmbH + Co KG

FSB

Nieheimer Straße 38
33034 Brakel
Germany

Phone +49 5272 608-0
Fax +49 5272 608-300
www.fsb.de · info@fsb.de

available in the US through

index-d

877-777-0592

www.index-d.com