

## Furniture for main entrance doors

7c

---

Explanations	446
Overview	447
Lever handles, turnably fixed	448
Furniture for main entrance doors	450
Push and pull pad handles	456
Horizontal bar handles	463
Grip handles furniture for framed doors	466
Turnable knobs for multi-point locks	472
Fixing accessories	473

## Furniture for main entrance doors

---

The architectural hardware sector – including FSB – has for decades been marketing a veritable plethora of custom fittings for main entrance doors, to wit door knobs, door pulls, armoured roses and security furniture in all materials and all manner of designs. You'd think the market had been sated.

Not a bit of it though. An article in the supplement to the weekly newspaper DIE ZEIT of 31 March 1995 observes: 'Same doors, handles, conservatories, carports everywhere. Be it in Munich or Münster, Darmstadt or Stuttgart, owneroccupiers are a force for uniformity in their unitary housing.'

But help is at hand for our beleaguered author. FSB commissioned its in-house designer Hartmut Weise to come up with some new ideas for main entrance doors. Hartmut Weise already presented four design conceptions for the penultimate Manual. Two more followed for the last Manual.

The first four handles for main entrance doors by Hartmut Weise retain the distinctive axially slanted grip from his 1995 pull-handle collection, but forego the droplet-shaped cross section in favour of an elliptical form.

Mr. Weise was intent on ensuring that the hand would be able to exert the necessary force despite the vertical styling.

These handles are available in silver anodised or colour-coated aluminium and in stainless steel. They are through-fixed by means of 6 mm bolts that fasten onto a rugged backplate on the inside.

The internal backplate also acts as a bearing for the lever handle. The fancy coverplate on the inside can be supplied in either aluminium, colour-coated aluminium or stainless steel.

Two further main-door pull handles by Hartmut Weise incorporate a design idea from the 50's. At that time, any number of doors were adorned with sinuous extruded handles. Refining this seasoned style gave rise to an integrated pull handle/backplate design.

In this case, too, handles are through fixed using 6mm bolts that engage in a heavyduty backplate on the inside. The latter additionally supports the lever handle and its bushing.

These two designs are exclusively available in aluminium. A matching aluminium lever handle and coverplate have been selected for the inside. If so desired, however, the internal furniture may be made of stainless steel, brass or colour-coated aluminium.

This comprehensive new package is augmented by pull, knob and lever handle furniture on oval and angular narrow-frame backplates, pull-handle furniture with a selection of fittings, and push/pull handles with armoured cylinders.

Before ordering please always check that the situation allows for sufficient mortise depth as well as the necessary backset.

When fitting the new pulls for main entrance and entrance doors, FSB recommends reinforcing the cylinder by means of round, oval or angular armoured roses.

Overview

Aluminium
  AluGrey
  Stainless steel
  Bronze
  Brass
  Alu + Colour



7000     
Page 448

7000     
Page 449

6108    
Page 458

6109    
Page 458

6137   
Page 459

6181   
Page 460

6184   
Page 460



6254   
Page 461

6268   
Page 461

6755   
Page 462

6756   
Page 462

6110   
Page 456

6111   
Page 456

6112   
Page 457



6113   
Page 457

7802   
Page 454

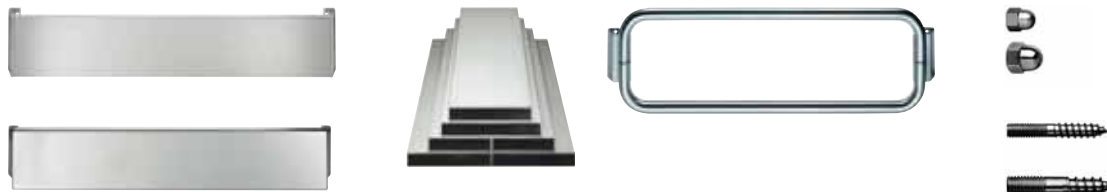
7803   
Page 455

7871    
Page 450

7872    
Page 451

7873    
Page 452

7874    
Page 453



6460 , 6475   
Page 465

6840   
Page 464

6676    
Page 463

0313 – 0325  
Page 473



7816   
Page 466

7816   
Page 467

7816     
Page 468

7816    
Page 469

7820    
Page 470

7820    
Page 471

0418    
Page 472

Lever handles  
turnably fixed



7000 0001

- Aluminium
- Stainless steel

10 mm □-hole

Model FSB 1070



7000 0002

- Aluminium
- Stainless steel

10 mm □-hole

Model FSB 1146

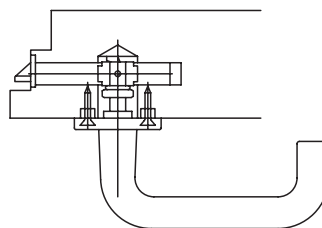


7000 0003

- Aluminium
- Stainless steel

10 mm □-hole

Model FSB 1076



Single fixed lever handles for entrance doors incl. solid sub-roses.

FSB spindle 0104 necessary, see page 546.

Lever handles  
turnably fixed



7000 0004

- Aluminium
- Stainless steel

10 mm □-hole

Model FSB 1023



7000 0232

- Aluminium
- Stainless steel

10 mm □-hole

Model FSB 1107

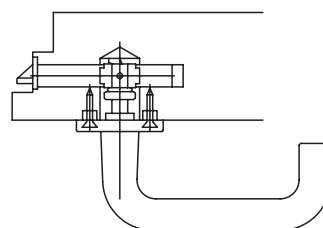


7000 0233

- Aluminium
- Stainless steel

10 mm □-hole

Model FSB 1108



Single fixed lever handles for entrance doors incl. solid sub-roses.

FSB spindle 0104 necessary, see page 546.

Furniture for  
main entrance doors

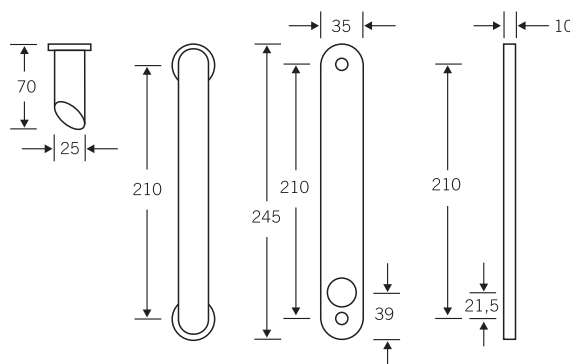
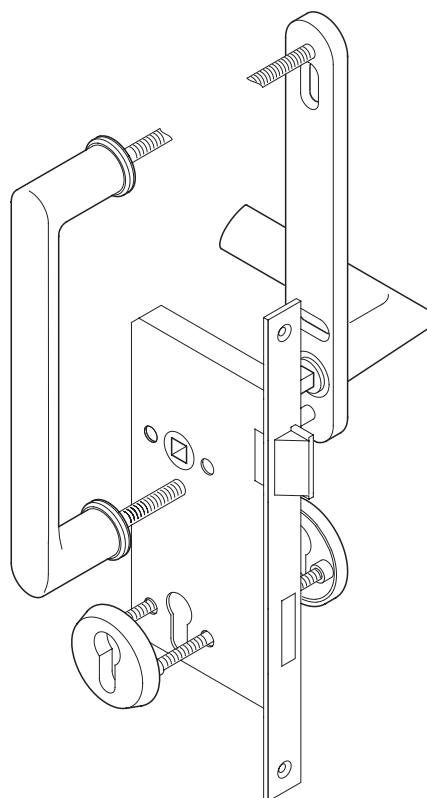


Illustration r.h.,  
Handing details, cf. page 566.  
Safety clearance 45 mm

## 7871

- Aluminium
- Stainless steel

The order code covers external pull and internal backplate plus lever handle FSB 1025. You will additionally need to order an FSB Stabil-half-spindle for doors drilled from one side only (p. 546) and an FSB armoured rose (p. 442).



Order details:

spindle thickness: 8 or 10 mm  
door thickness . . . . mm

7871 24 r.h.  
7871 25 l.h.

Furniture for  
main entrance doors



7872

- Aluminium
- Stainless steel

The order code covers external pull and internal backplate plus lever handle FSB 1028. You will additionally need to order an FSB Stabil-half-spindle for doors drilled from one side only (p. 546) and an FSB armoured rose (p. 442).

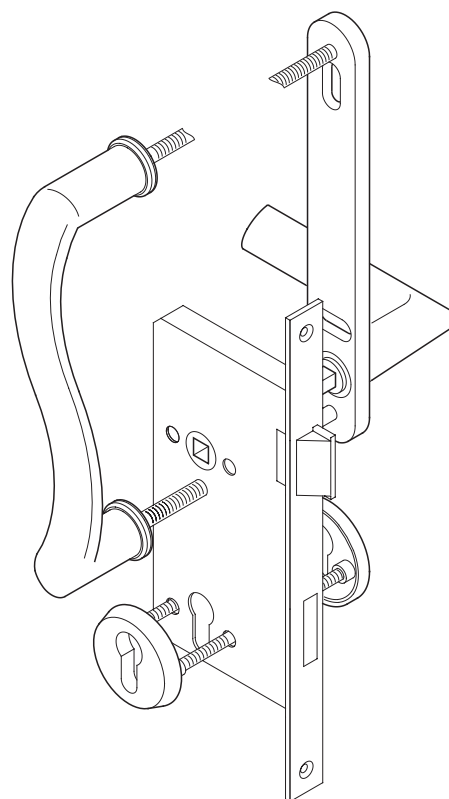
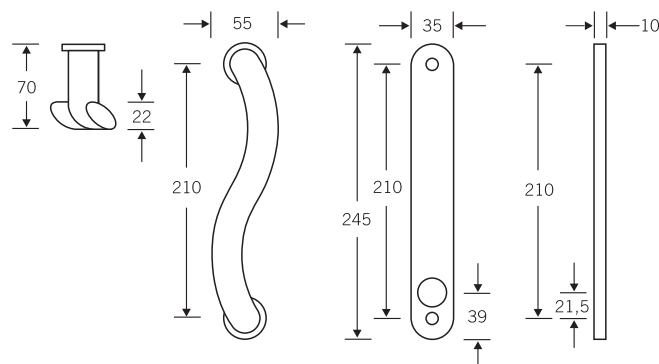


Illustration r.h.,  
Handing details, cf. page 566.  
Safety clearance 60 mm



Order details:

spindle thickness: 8 or 10 mm  
door thickness . . . mm

7872 24 r.h.  
7872 25 l.h.

Furniture for  
main entrance doors

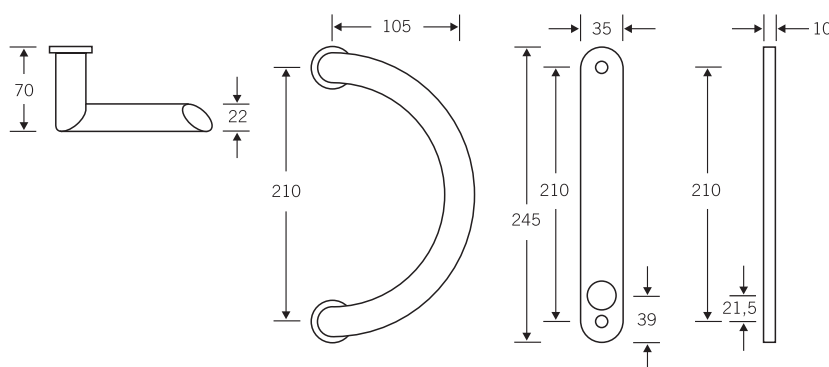
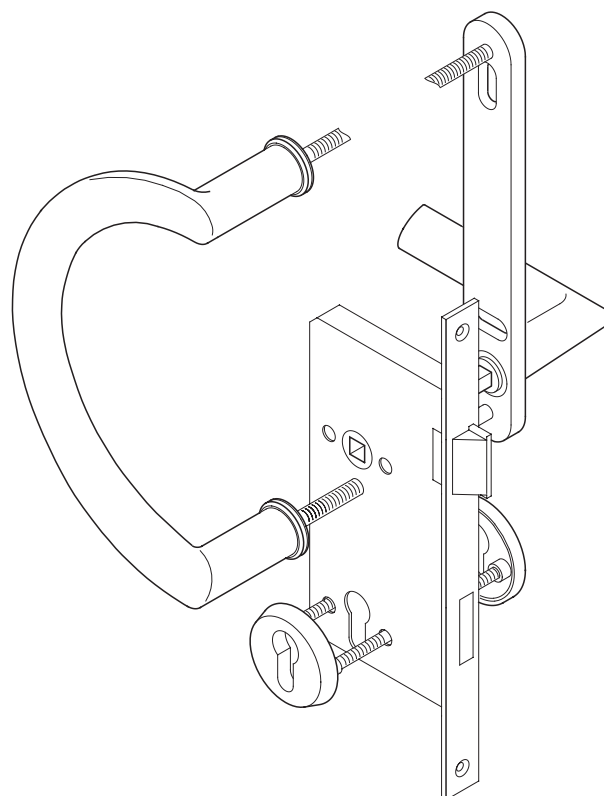


Illustration r.h.,  
Handing details, cf. page 566.  
Safety clearance 48 mm

7873

- Aluminium
- Stainless steel

The order code covers external pull and internal backplate plus lever handle FSB 1025. You will additionally need to order an FSB Stabil-half-spindle for doors drilled from one side only (p. 546) and an FSB armoured rose (p. 442).



Order details:

spindle thickness: 8 or 10 mm  
door thickness . . . . mm

7873 24 r.h.  
7873 25 l.h.



# Furniture for main entrance doors



7874

- Aluminium
- Stainless steel

The order code covers external pull and internal backplate plus lever handle FSB 1025. You will additionally need to order an FSB Stabil-half-spindle for doors drilled from one side only (p. 546) and an FSB armoured rose (p. 442).

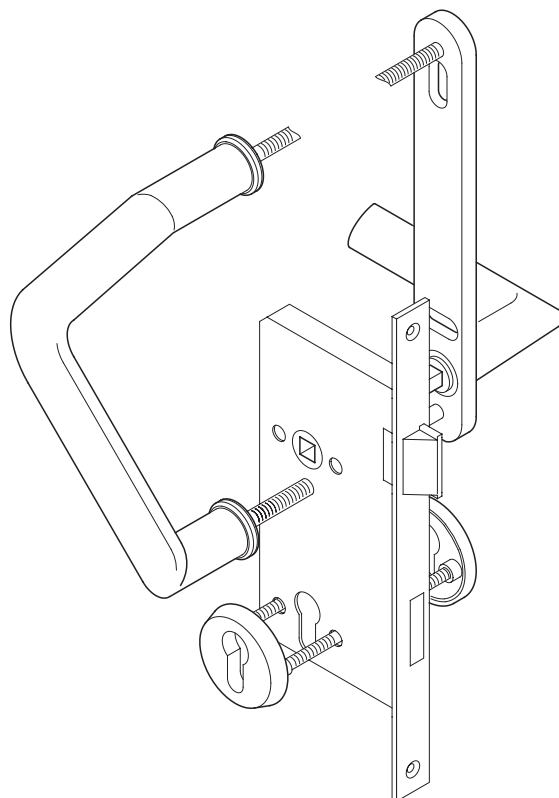
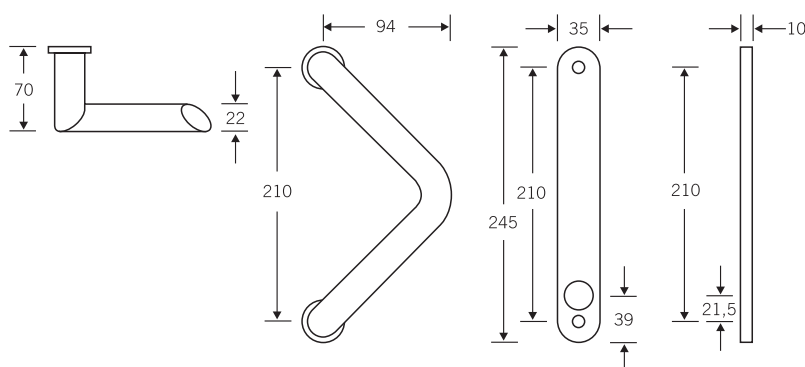


Illustration r.h.,  
Handing details, cf. page 566.  
Safety clearance 48 mm



Order details:

spindle thickness: 8 or 10 mm  
door thickness . . . mm

7874 24 r.h.  
7874 25 l.h.

Furniture for  
main entrance doors

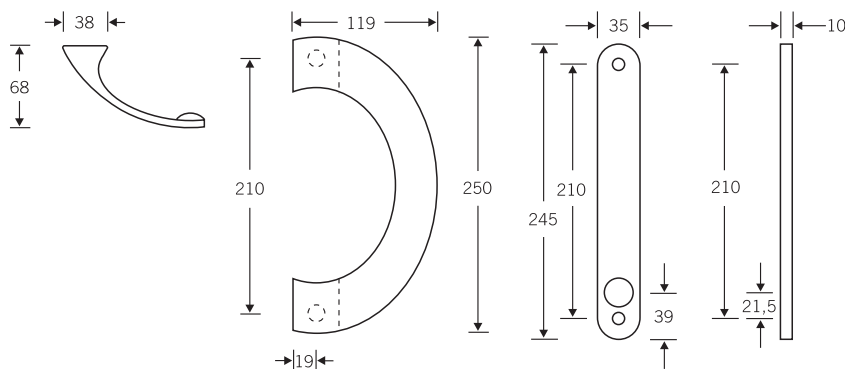
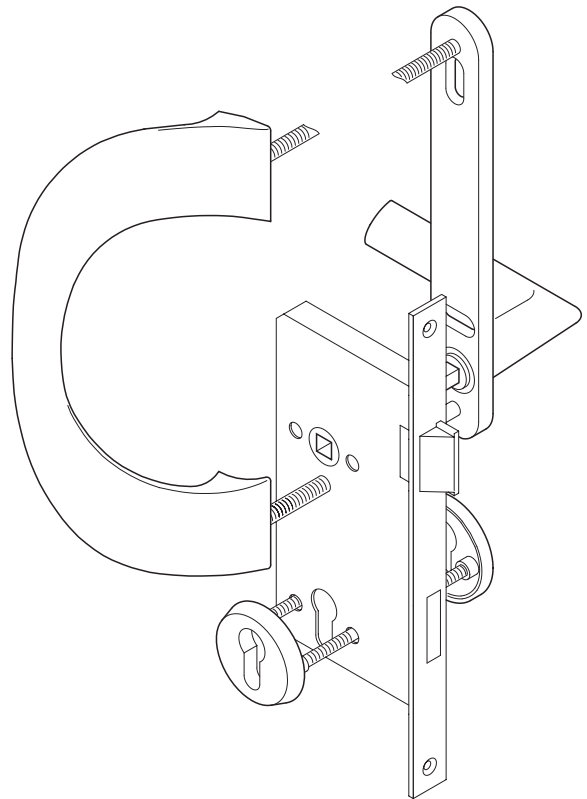


Illustration r.h.,  
Handing details, cf. page 566.  
Safety clearance 48 mm

7802

■ Aluminium

The order code covers external pull and internal backplate plus lever handle FSB 1010. You will additionally need to order an FSB Stabil-half-spindle for doors drilled from one side only (p. 546) and an FSB armoured rose (p. 442).



Order details:

spindle thickness: 8 or 10 mm  
door thickness . . . . mm

Furniture for  
main entrance doors



7803

■ Aluminium

The order code covers external pull and internal backplate plus lever handle FSB 1108. You will additionally need to order an FSB Stabil-half-spindle for doors drilled from one side only (p. 546) and an FSB armoured rose (p. 442).

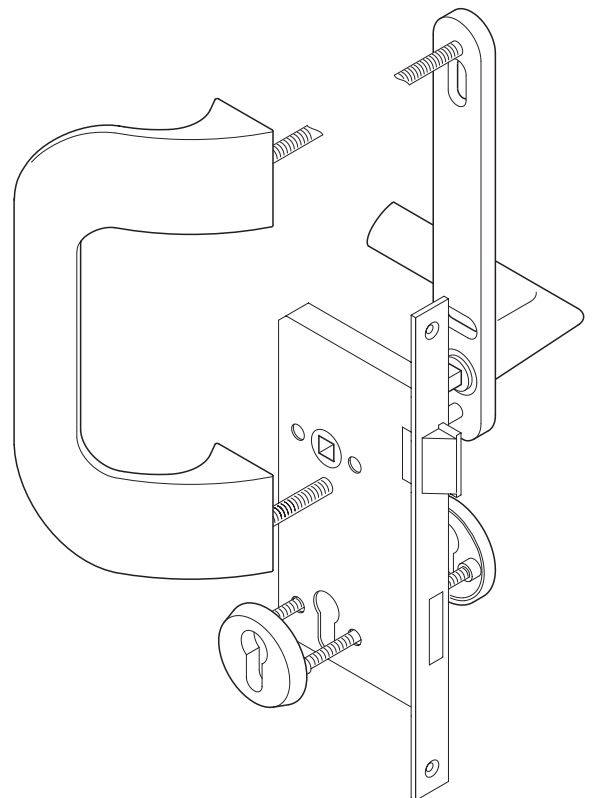
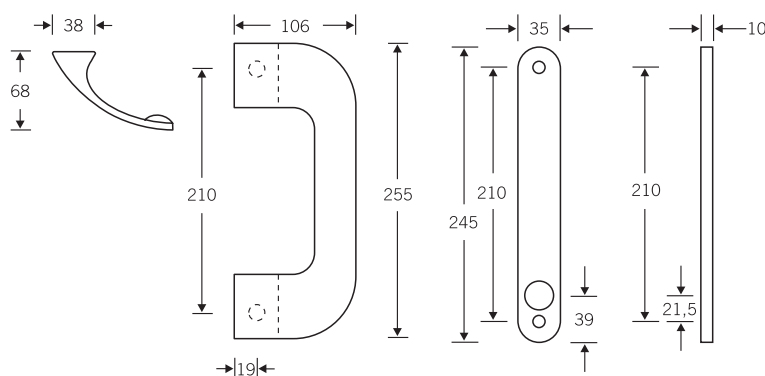


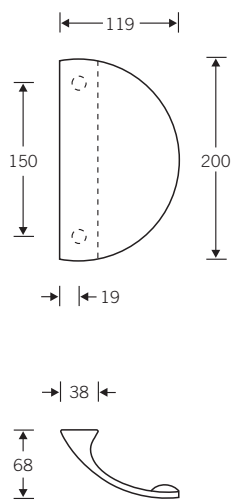
Illustration r.h.,  
Handing details, cf. page 566.  
Safety clearance 48 mm



Order details:

spindle thickness: 8 or 10 mm  
door thickness . . . . mm

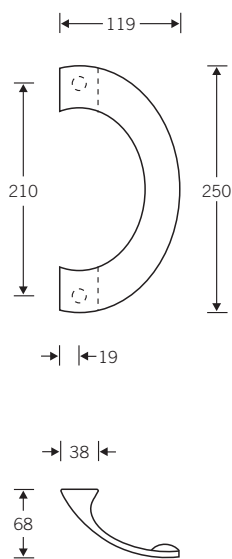
# Push and pull pad handles



6110

Aluminium

Fixing M6

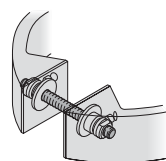


6111

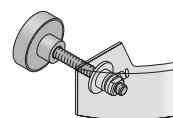
Aluminium

Fixing M6

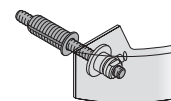
For detailed information on fixing, please turn to page 421, fixing accessories cf. page 473.



back to back fixing

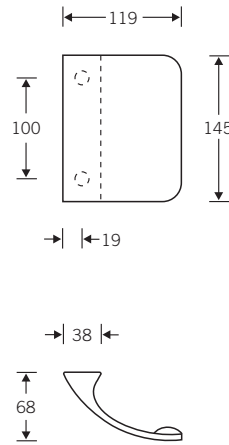


bolt through-fixing

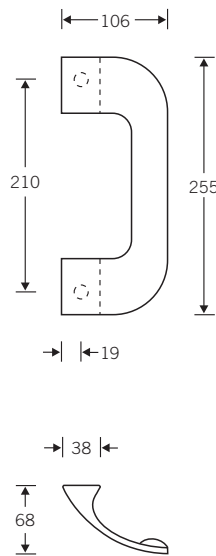


secret single side fixing with expansion plug

# Push and pull pad handles

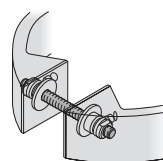


**6112**  
 ■ Aluminium  
 Fixing M6

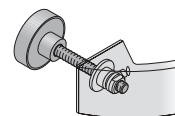


**6113**  
 ■ Aluminium  
 Fixing M6

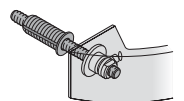
For detailed information on fixing, please turn to page 421, fixing accessories cf. page 473.



back to back fixing

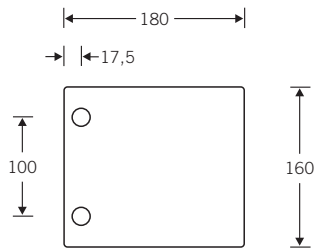


bolt through-fixing



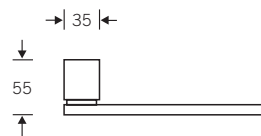
secret single side fixing with expansion plug

# Push and pull pad handles



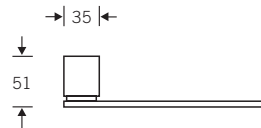
6108

Fixing M8

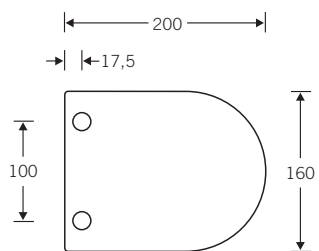


Available in:

Bracket Aluminium 01,  
Pad Aluminium 01

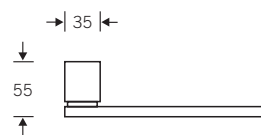


Bracket Aluminium 01,  
Pad Stainless steel



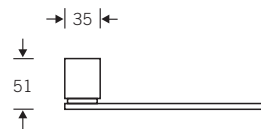
6109

Fixing M8



Available in:

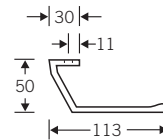
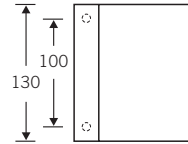
Bracket Aluminium 01,  
Pad Aluminium 01



Bracket Aluminium 01,  
Pad Stainless steel

The round M8 fixing sets are suitable for these pad handles. For details page 416. Fixing accessories, cf. page 473.

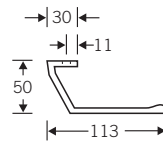
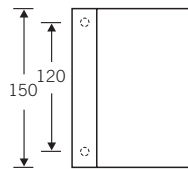
# Push and pull pad handles



**6137 31**

■ Aluminium

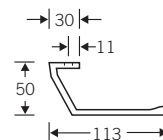
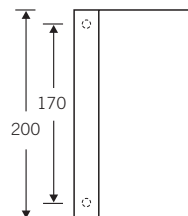
c:c screw holes 100 mm



**6137 32**

■ Aluminium

c:c screw holes 120 mm



**6137 34**

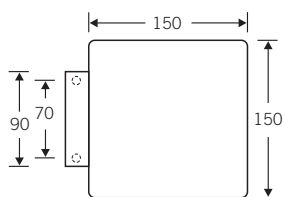
■ Aluminium

c:c screw holes 170 mm

Screw hole  $\varnothing$  8.5 mm  
Engravings, cf. page 237.

Fixing accessories,  
cf. page 473.

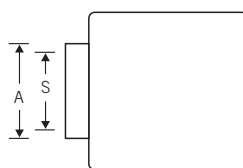
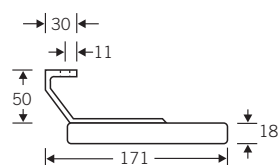
## Push and pull pad handles



**6184 62**

■ Aluminium

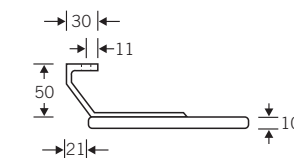
Plastic-Pad, black



**6181 62**

■ Aluminium

Pad 150 x 150 mm  
Dimension A 90 mm  
c:c screw holes 70 mm



**6181 70**

■ Aluminium

Pad 180 x 180 mm  
Dimension A 120 mm  
c:c screw holes 100 mm

**6181 74**

■ Aluminium

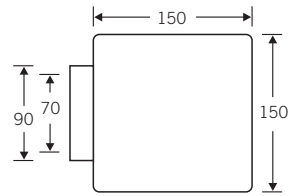
Pad 200 x 200 mm  
Dimension A 120 mm  
c:c screw holes 100 mm

Fixing accessories,  
cf. page 473.

Screw hole  $\varnothing$  8.5 mm  
Engravings, cf. page 237.

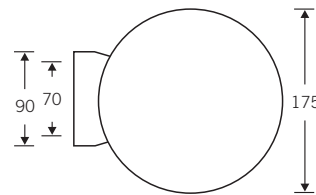
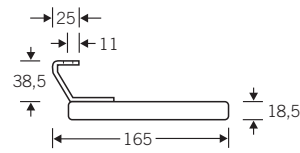


# Push and pull pad handles



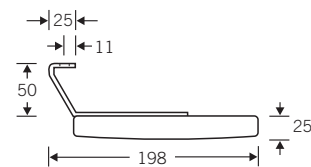
**6254 62**

■ Stainless steel



**6268**

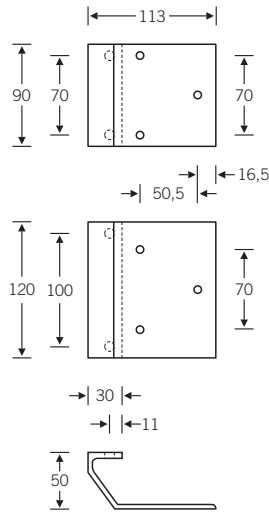
■ Stainless steel



Fixing accessories,  
cf. page 473.

Screw hole Ø 8.5 mm

## Brackets for pad handles and horizontal bar handles



**6755 27**

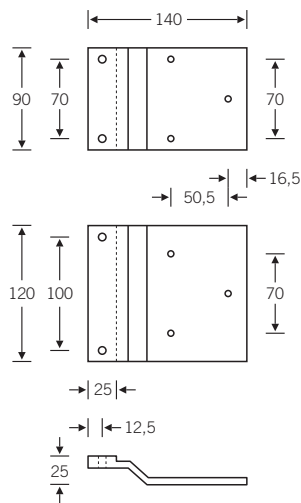
■ Aluminium

Screw hole Ø 8.5 mm  
Screw hole Ø 5.3 mm (pad)

**6755 29**

■ Aluminium

Screw hole Ø 8.5 mm  
Screw hole Ø 5.3 mm (pad)



**6756 27**

■ Aluminium

Screw hole Ø 6.5 mm  
Screw hole Ø 5.3 mm (pad)

**6756 29**

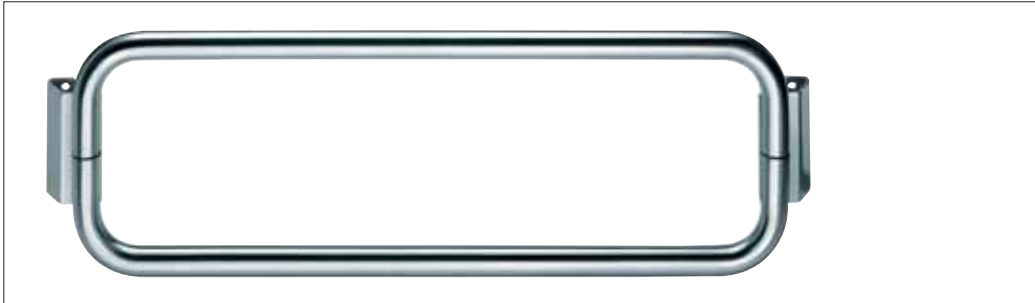
■ Aluminium

Screw hole Ø 6.5 mm  
Screw hole Ø 5.3 mm (pad)

Bracket models FSB 6755 and 6756 are the support modules for custom-design pad and horizontal bar handles. Handle designs in timber, plastic and metal can be securely fastened to these support brackets by means of three bolts fitted from the back.

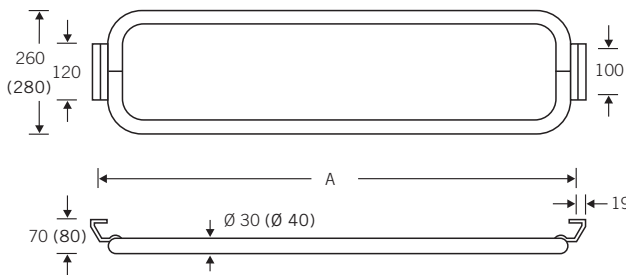
Fixing accessories, cf. page 473.

# Pull handles with cranked brackets

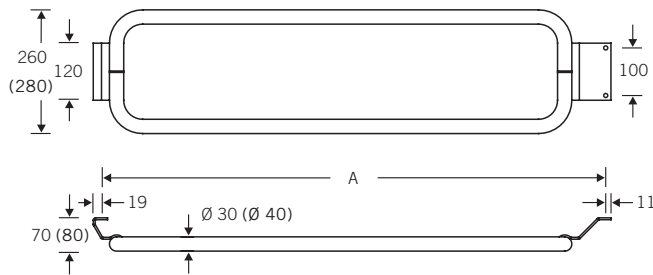


Aluminium  
 Stainless steel

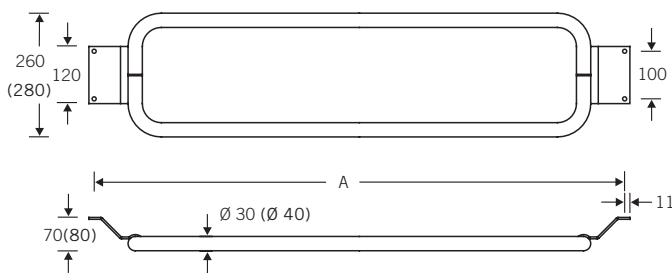
Screw hole  $\varnothing$  8.5 mm



6676 02  $\varnothing$  30 mm  
 6686 02  $\varnothing$  40 mm



6676 03  $\varnothing$  30 mm  
 6686 03  $\varnothing$  40 mm



6676 04  $\varnothing$  30 mm  
 6686 04  $\varnothing$  40 mm

Fixing accessories,  
cf. page 473.

## Sections and support brackets for horizontal bar handles

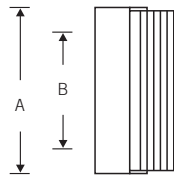
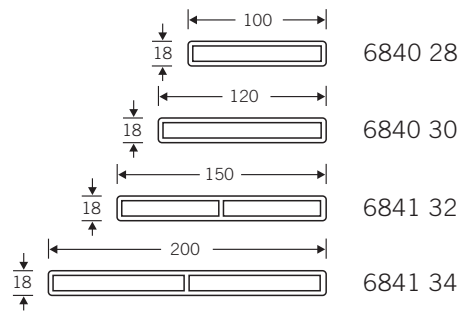


**6840**

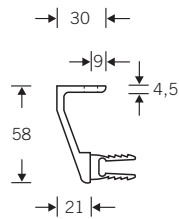
**6841**

■ Aluminium

The illustrated sections are available in stock lengths of 4.000 mm.



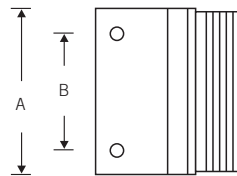
Screw hole  $\varnothing$  6.5 mm



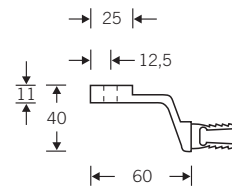
**6763**

■ Aluminium

Sizes in mm	A	B
28	100	70
30	120	100
32	150	120
34	200	170



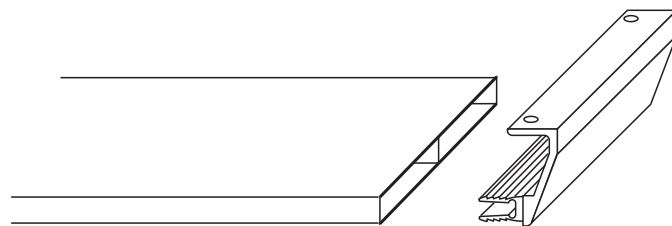
Screw hole  $\varnothing$  6.5 mm



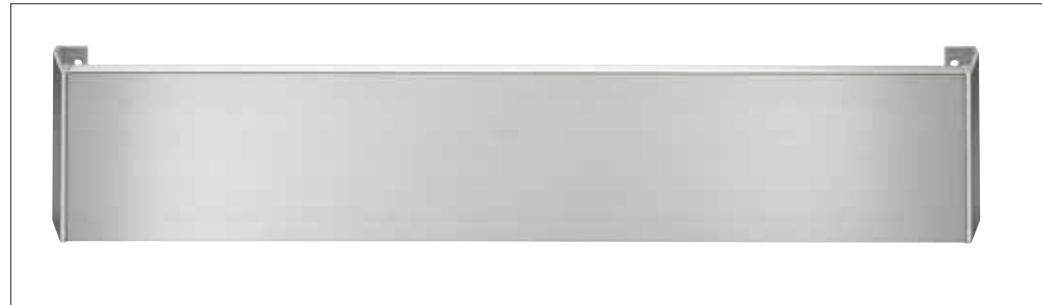
**6769**

■ Aluminium

Sizes in mm	A	B
28	100	70
30	120	100
32	150	120
34	200	170



# Horizontal bar handles

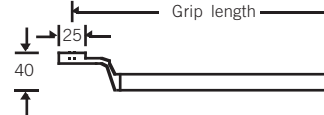
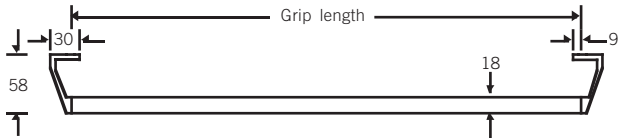


## 6460

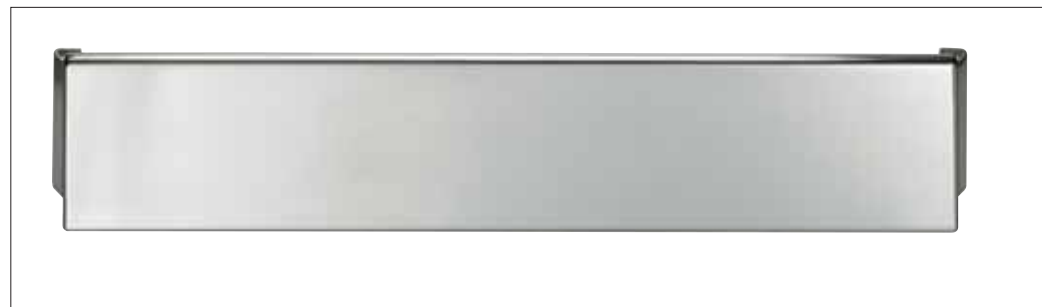
Aluminium

Screw hole  $\varnothing$  6.5 mm

Sizes in mm	A	B
0028	100	70
0030	120	100
0032	150	120
0034	200	170



Cranked brackets for swing doors

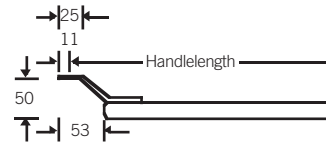
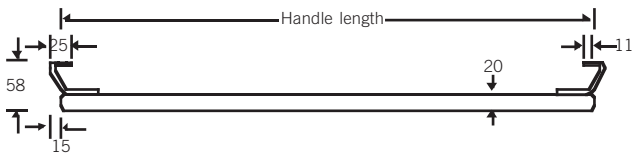


## 6475

Stainless steel

Screw hole  $\varnothing$  8.5 mm

Sizes in mm	A	B	C
0030	120	70	100
0032	150	100	120



Cranked brackets for swing doors

Sizes in mm	A	B	C
0130	120	70	100
0132	150	100	120

Fixing accessories, cf. page 473.

Grip handle furniture  
for framed doors



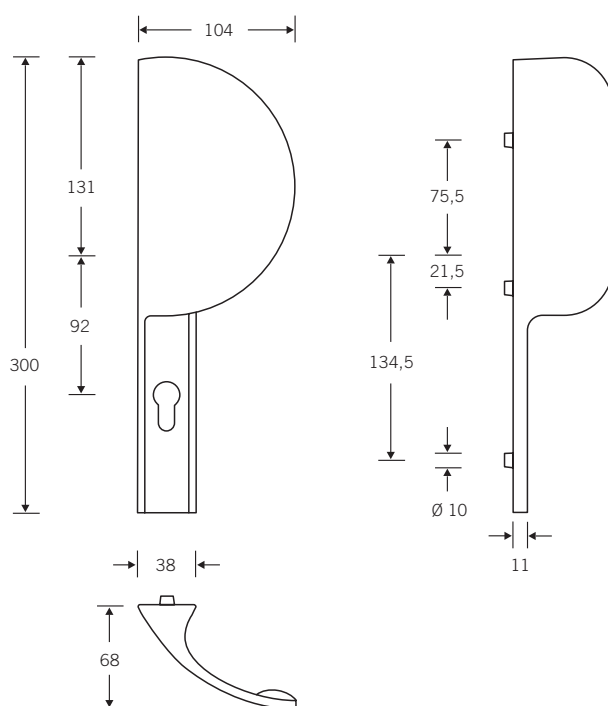
Illustration l.h.,  
handing details, cf. page 566.

7816

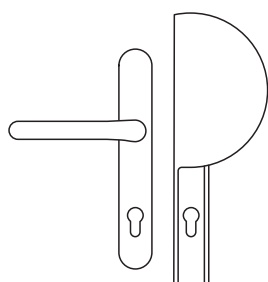
■ Aluminium

Grip handle furniture  
with concealed fixing

7816 07 r.h.  
7816 08 l.h.



Item nos.:



7816 07 r.h.  
7816 08 l.h.

Order details:

spindle thickness: 8 or 10 mm  
door thickness . . . . mm

Grip handle furniture  
for framed doors



7816

■ Aluminium

Grip handle furniture  
with concealed fixing

7816 11 r.h.  
7816 12 l.h.

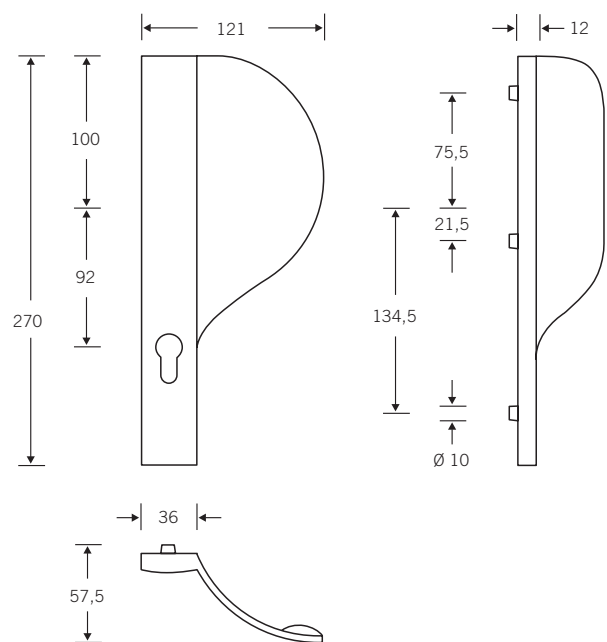
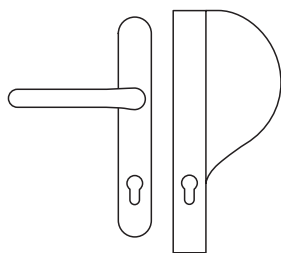


Illustration l.h.,  
handing details, cf. page 566.

Item nos.:



7816 11 r.h.  
7816 12 l.h.

Order details:

spindle thickness: 8 or 10 mm  
door thickness . . . . mm

# Lever handle furniture for framed doors

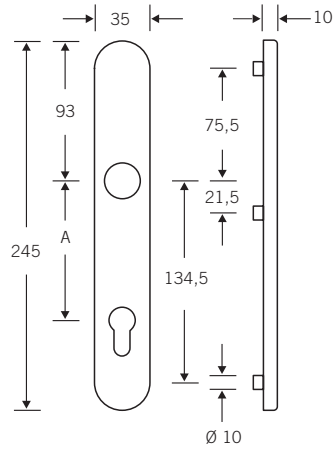
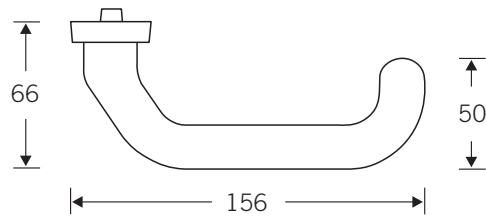


7816

- Aluminium
- Alu + Colour
- Stainless steel

7816 18

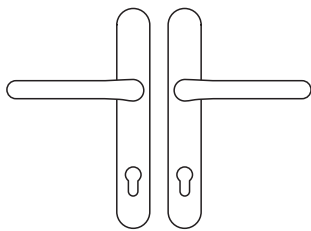
- Aluminium
- Alu + Colour
- Stainless steel



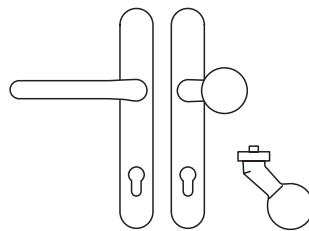
Lever handle furniture for framed doors fixed on an oval backplate, with concealed fixing  
 8 mm □-hole and support mechanism  
 9 mm □-hole for fire and smoke stop doors   
 Size A spacing 72 mm and 92 mm PZ

Necessary order details: - spindle thickness (8, 9 or 10 mm)  
 - door thickness in mm  
 - PZ spacing

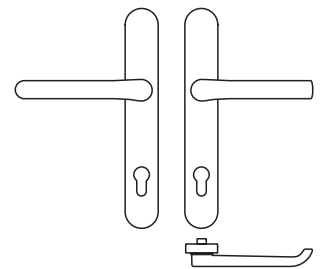
Item nos.:



Lever handle furniture  
 7816 01  
 7816 18



Entrance door furniture  
 7816 13



Balcony door furniture  
 7816 02

Standard fittings  
 Fire door fittings

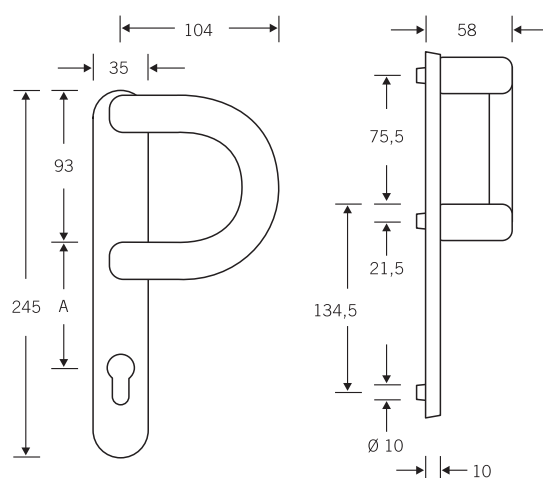


# Grip handle furniture for framed doors



7816 09

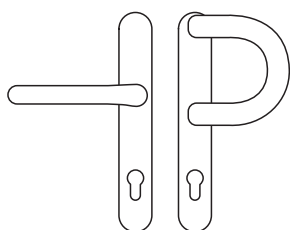
- Aluminium
- Alu + Colour



Gripp handle furniture for framed doors  
on an oval backplate, with concealed fixing  
an support mechanism  
8 mm □-hole  
Size A spacing 72 mm and 92 mm PZ

Necessary order details: - spindle thickness (8 or 10 mm)  
- door thickness in mm  
- PZ spacing

Item nos.:



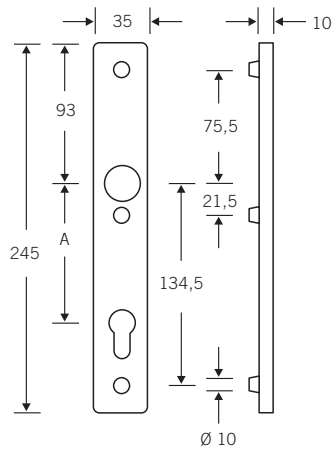
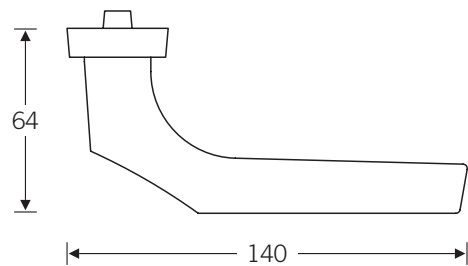
Grip handle furniture  
7816 09

# Lever handle furniture for framed doors



7820

- Aluminium
- Alu + Colour

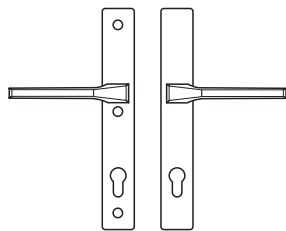


Lever handle furniture for framed doors on an angular backplate, concealed fixing on one side  
 8 mm □-hole  
 Size A spacing 72 mm and 92 mm PZ

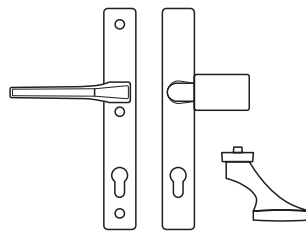
Necessary order details: - spindle thickness (8 or 10 mm)  
 - door thickness in mm  
 - PZ spacing

Illustration inner backplate

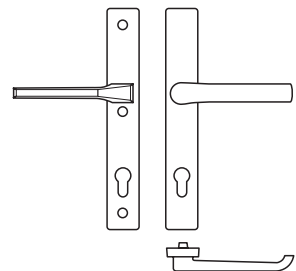
Item nos.:



Lever handle furniture  
7820 01



Entrance door furniture  
7820 13

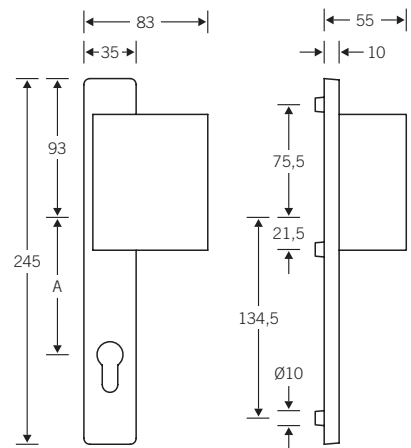
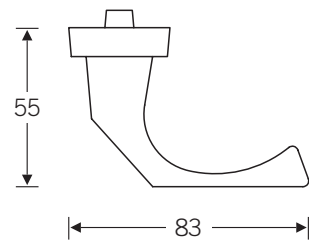


Balcony door furniture  
7820 02

# Grip handle furniture for framed doors

**7820 03**

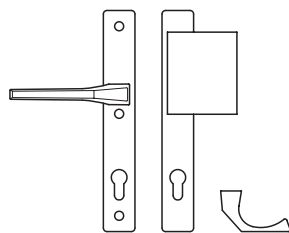
■ Aluminium



Grip handle furniture for framed doors on an angular backplate,  
concealed fixing on one side  
8 mm □-hole  
Size A spacing 72 mm and 92 mm PZ

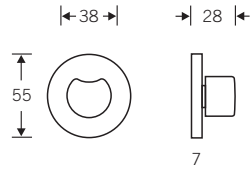
Necessary order details: - spindle thickness (8 or 10 mm)  
- door thickness in mm  
- PZ spacing

Item nos.:



7820 03

## Turnable knobs for multi-point locks

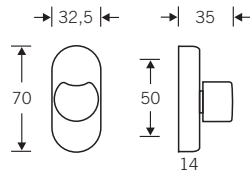


0418 02

- Aluminium
- Stainless steel

8 mm □

Spindle projecting  
standard 40 mm



0418 03

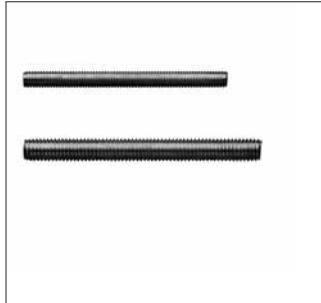
- Aluminium
- Stainless steel

8 mm □

Spindle projecting  
standard 40 mm

For the deployment on multi-point locks, FSB supplies an easy-action turnable knob on a circular or oval rose for concealed face fixing.

## Fixing accessories



### 0313

Steel studs

0313 0670 M6 x 70 mm  
0313 0680 M6 x 80 mm

0313 0880 M8 x 80 mm

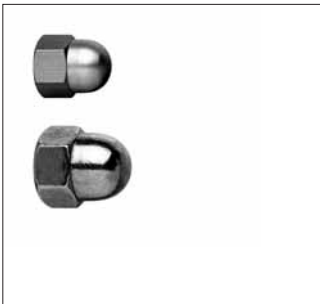


### 0316

Steel studs - for timber fixing

0316 0640 M6

0316 0840 M8



### 0319

Aluminium dome nuts

0319 0600 M6  
0319 0800 M8

Stainless steel dome nuts

0319 0800 M8



### 0320

Aluminium and Stainless steel dome nuts

0320 0800 M8



### 0325

Aluminium

Blind nuts with 12 mm neck

0325 0600 M6

0325 0800 M8

