

## Sliding and Pocket Door Hardware

available in the US through

**index-d**

877-777-0592  
[www.index-d.com](http://www.index-d.com)

- Premium quality pocket door locks and trim offered in 2 ½", 2 ¾", 3 ¾", 5" and 6" backsets—custom backsets also available
- For use with various door thicknesses (starting at 1 3/8")
- Heavy duty capacity, smooth operating with superior form and function
- Available in pulls only (2000 series), lock only (2001 series) or combination lock/pull (2002 series)
- Unique aesthetic trim styles to choose from
- Standard and custom finishes available



# 2000 Pocket Door Pull

Spring loaded edge pull

PUSH BUTTON  
PROJECTS PULL (as shown)



CASE:

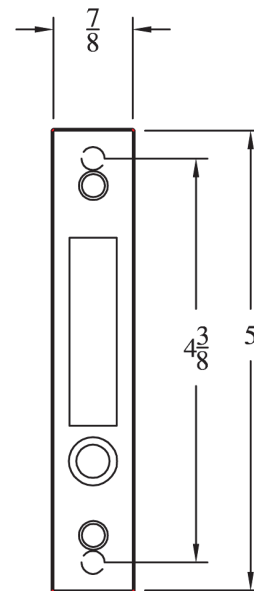
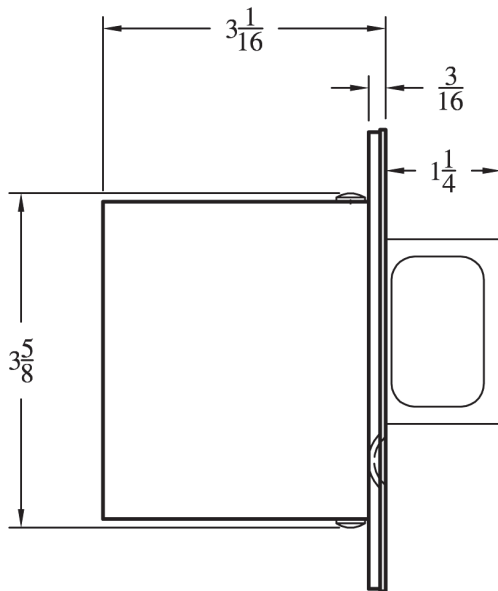
Heavy Gauge, Wrought  
(11/16" thick)

PULL:

1/2" Thick—1 1/4" throw

ARMOR FRONT:

Wrought brass, bronze or  
stainless steel.



\* Custom 1" wide armor front available

SUGGESTED TRIM FOR INSIDE AND OUTSIDE: A2002B, O2002B, N2002B, or S2002B

*In addition to the above flush pulls (also available with concealed screws), please refer to our 24R and 24S flush cups for more trim options.*

# 2001 Sliding Door Lock (#2001SDL)

Various backsets to meet your requirements

Please specify  
2 1/2", 2 3/4", 3 3/4", 5", or 6" Backset  
*Custom narrow and large backsets also available*

Operation\*:  
2001 SDL-1 By Key Outside Only  
2001 SDL-2 By Key Outside and Inside  
2001 SDL-3 By Key Outside, Thumb turn Inside  
2001 SDL-4 By Thumb turn Inside Only  
2001 SDL-5 By Thumb turn Inside, Emergency key Outside

*\* Numbers are for specification and door preparation purposes. The lock itself is the same for all operations.*



CASE:

Heavy Gauge, Wrought  
(11/16" thick)

DEAD BOLT:

1/2" thick, 1 7/32" high, 1" Throw

THUMB TURN HUB:

3/16" (5mm) on the diamond

ARMOR FRONT:

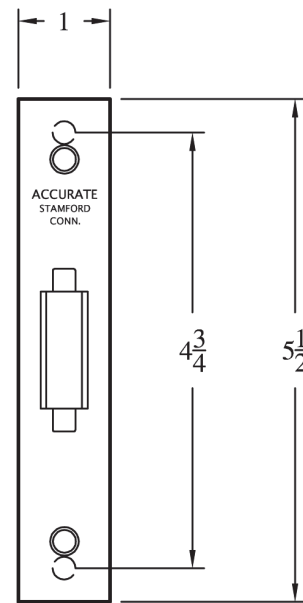
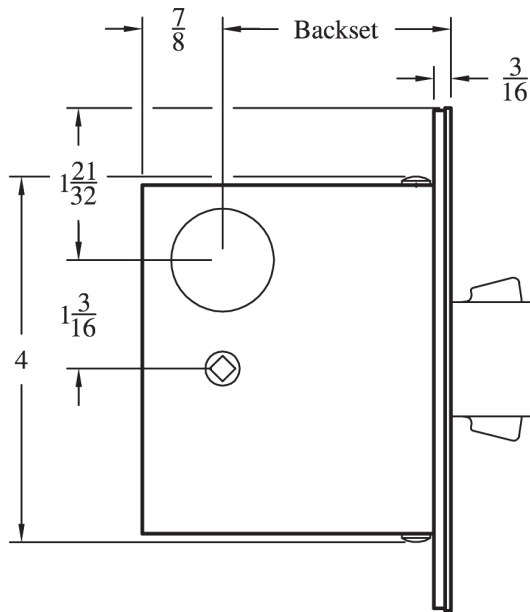
Brass, bronze or stainless steel.

DUST BOX:

Brass, stainless steel or US10B  
available upon request

CYLINDER:

Available to order (3/4", 1", 1 1/8"  
length in limited Keyways) - Please  
contact one of our Sales Engineers  
for Details



SUGGESTED TRIM:	SDL-1	SDL-2	SDL-3	SDL-4	SDL-5
<b>Inside</b>	<i>Optional:</i> A2002B, O2002B, N2002B, S2002B	A2002C, O2002C, N2002C, S2002C	A2002T, O2002T, N2002T, S2002T	A2002T, O2002T, N2002T, S2002T	A2002T, O2002T, N2002T, S2002T
<b>Outside</b>	A2002C, O2002C, N2002C, S2002C	A2002C, O2002C, N2002C, S2002C	A2002C, O2002C, N2002C, S2002C	<i>Optional:</i> A2002B, O2002B, N2002B, S2002B	A2002E, O2002E, N2002E, S2002E

*In addition to the above flush pulls (also available with concealed screws), please refer to our 24R and 24S flush cups for more trim options.*

# 2002 Pocket Door Lock / Pull (#2002CPDL)

Various backsets to meet your requirements

Please specify  
2 1/2", 2 3/4", 3 3/4", 5", or 6" Backset  
*Custom narrow and large backsets also available*

Operation\*:  
2002 CPDL-1 By Key Outside Only  
2002 CPDL-2 By Key Outside and Inside  
2002 CPDL-3 By Key Outside, Thumb turn Inside  
2002 CPDL-4 By Thumb turn Inside Only  
2002 CPDL-5 By Thumb turn Inside, Emergency key Outside

*\*Numbers are for specification and door preparation purposes. The lock itself is the same for all operations.*



CASE:

Heavy Gauge, Wrought (11/16" thick)

DEAD BOLT:

1/2" thick, 1 7/32" high, 1" Throw

PULL:

1/2" thick, 2" high, 1 1/4" throw

THUMB TURN HUB:

3/16" (5mm) on the diamond

STRIKE:

Single doors: 3 1/2" x 1" (dust box available)

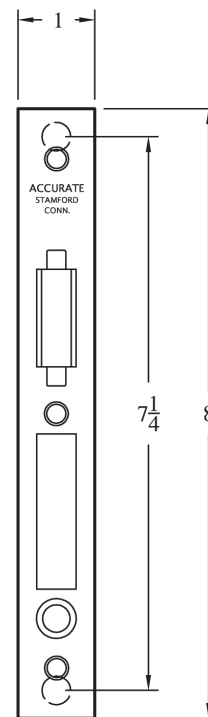
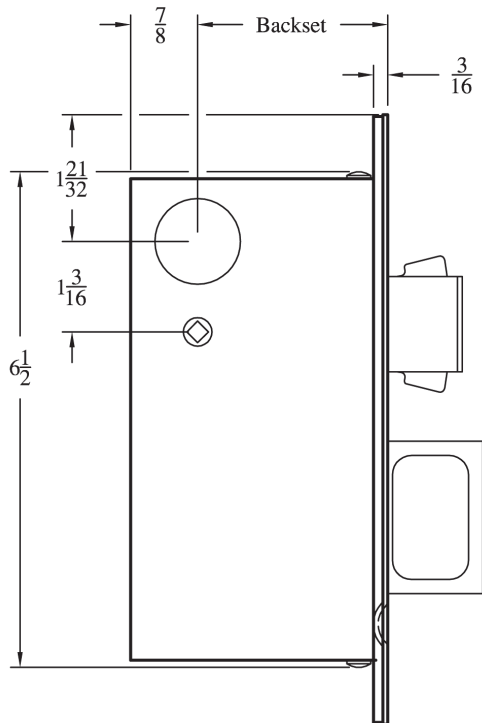
Double doors: refer to #2002CPDS

ARMOR FRONT:

Brass, bronze or stainless steel.

CYLINDER:

Available to order (3/4", 1", 1 1/8" length in limited Keyways) - Please contact one of our Sales Engineers for Details



SUGGESTED TRIM:	CPDL-1	CPDL-2	CPDL-3	CPDL-4	CPDL-5
<b>Inside</b>	<b>Optional:</b> A2002B, O2002B, N2002B, S2002B	A2002C, O2002C, N2002C, S2002C	A2002T, O2002T, N2002T, S2002T	A2002T, O2002T, N2002T, S2002T	A2002T, O2002T, N2002T, S2002T
<b>Outside</b>	A2002C, O2002C, N2002C, S2002C	A2002C, O2002C, N2002C, S2002C	A2002C, O2002C, N2002C, S2002C	<b>Optional:</b> A2002B, O2002B, N2002B, S2002B	A2002E, O2002E, N2002E, S2002E

*In addition to the above flush pulls (also available with concealed screws), please refer to our 24R and 24S flush cups for more trim options.*

# 2002 Pocket Door Strike / Pull (#2002CPDS)



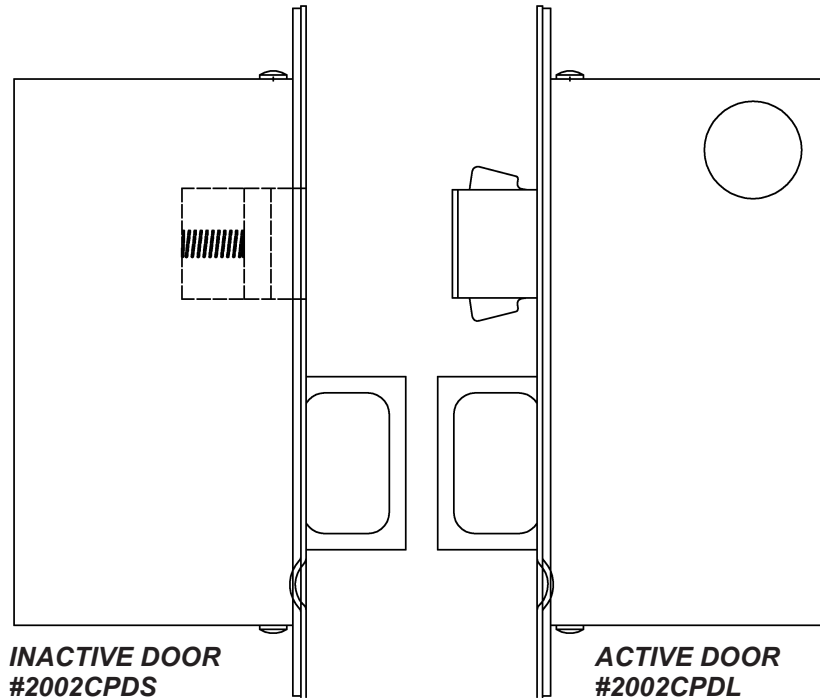
For use in double door applications, opposing our #2002CPDL pocket door lock/pull

SUGGESTED TRIM FOR INSIDE AND OUTSIDE:

A2002B,  
O2002B,  
N2002B, or  
S2002B

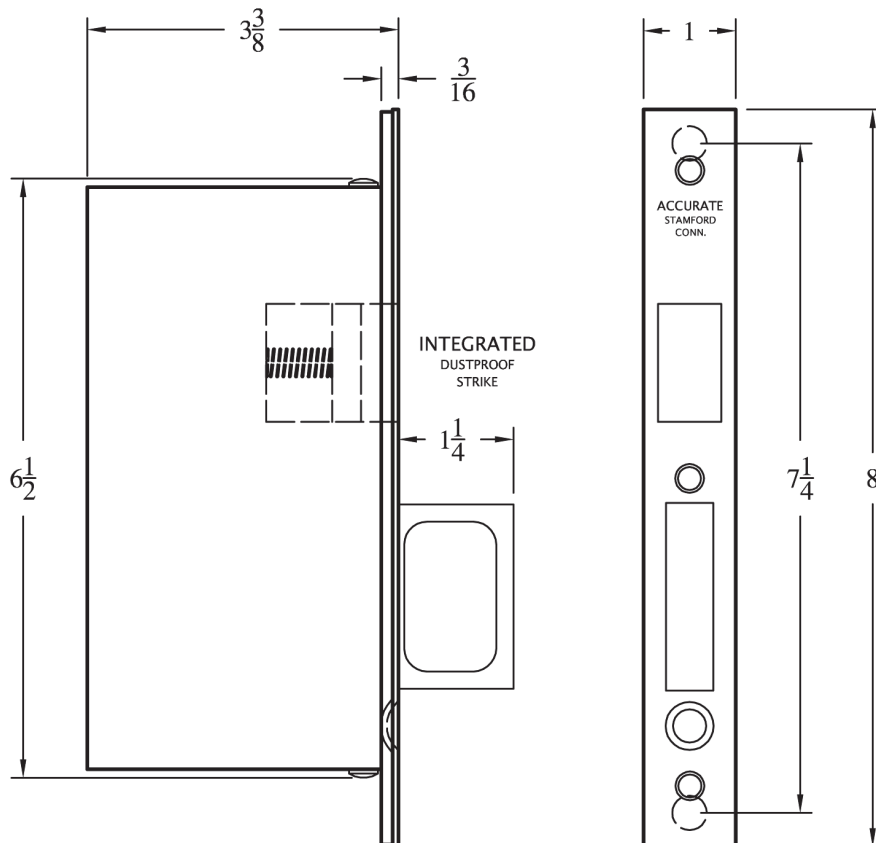
*In addition to the above flush pulls (also available with concealed screws), please refer to our 24R and 24S flush cups for more trim options.*

SUGGESTED TRIM:  
Please refer to the **2002 Pocket Door Lock / Pull (#2002CPDL)** catalog page



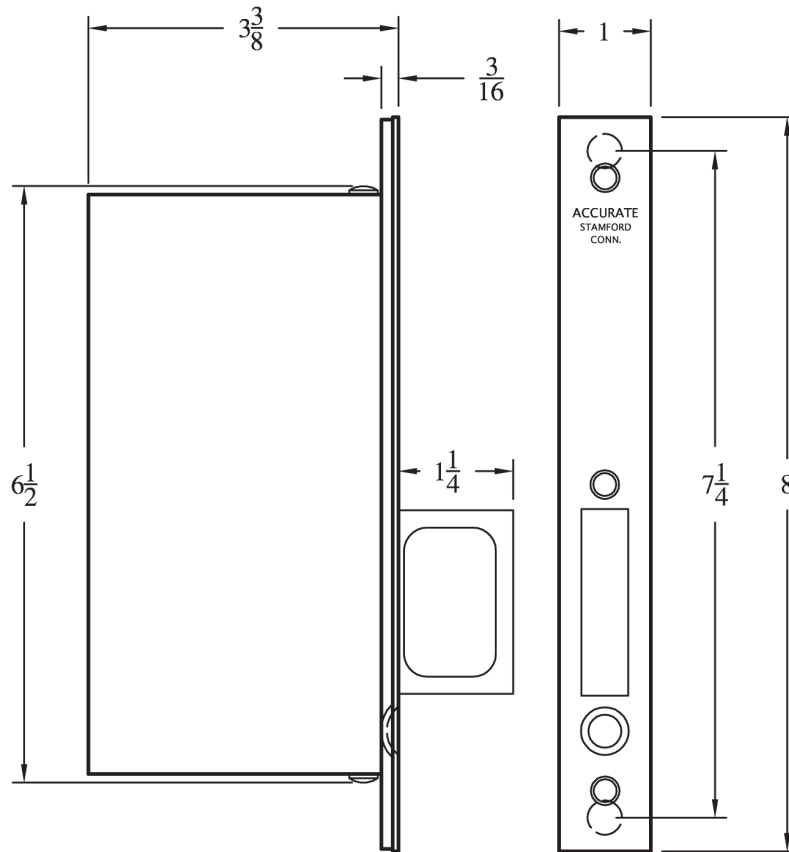
**INACTIVE DOOR  
#2002CPDS**

**ACTIVE DOOR  
#2002CPDL**



# 2002 Pocket Door Pull Only (#2002CPDP)

Spring loaded edge pull (similar in operation to our #2000 pull, except taller)



SUGGESTED TRIM FOR INSIDE AND OUTSIDE: A2002B, O2002B, N2002B, or S2002B

*In addition to the above flush pulls (also available with concealed screws), please refer to our 24R and 24S flush cups for more trim options.*

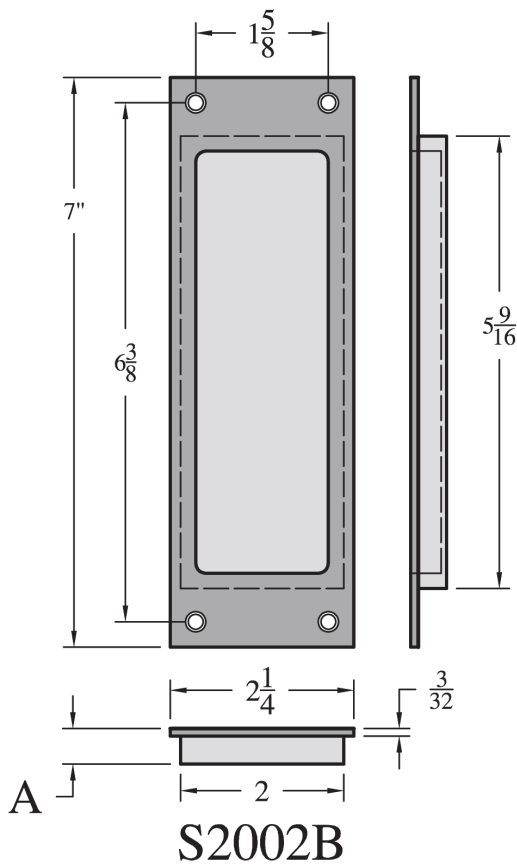
# 2002 Flush Pulls: "S" style (#S2002)

Premium flush pulls made out of solid brass or bronze and finished as required

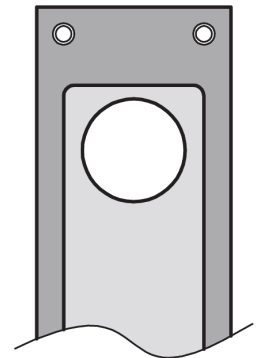
For use on 1 3/8", 1 3/4" or thicker doors—Please specify

Available in four functions to work with the #2000, #2001, #2002 sliding/pocket door locks:

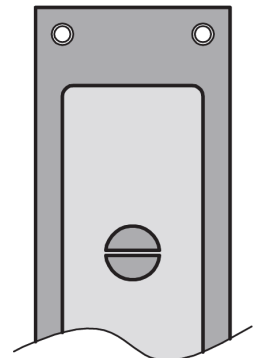
- S2002B (blank / passage)
- S2002C (for use with cylinders)
- S2002E (ER key)
- S2002T (thumb turn)



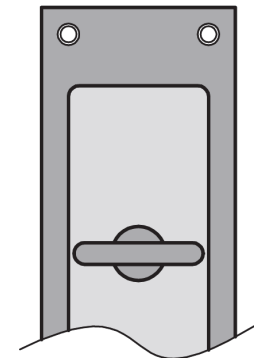
- A 7/16" for doors 1 3/4" minimum
- 11/32" for doors 1 3/8" minimum



**S2002C**



**S2002E**



**S2002T**



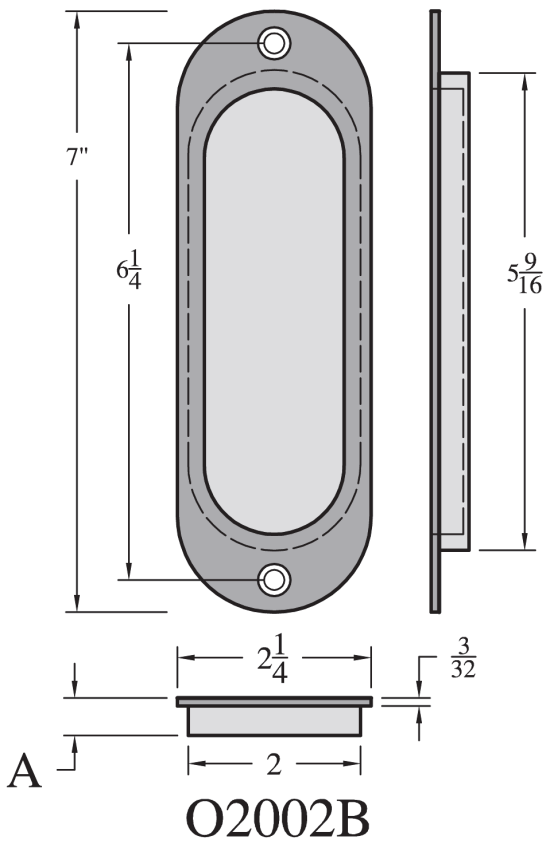
# 2002 Flush Pulls: "O" style (#O2002)

Premium flush pulls made out of solid brass or bronze and finished as required

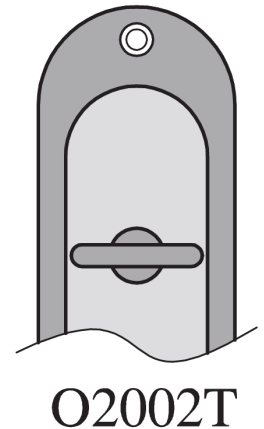
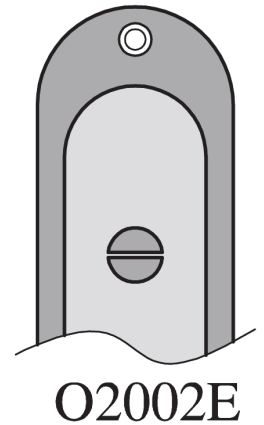
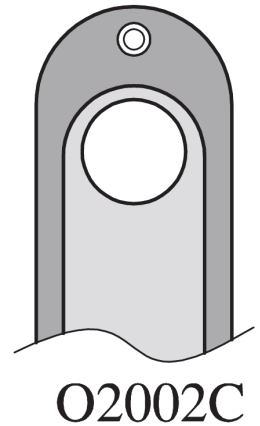
For use on 1 3/8", 1 3/4" or thicker doors—Please specify

Available in four functions to work with the #2000, #2001, #2002 sliding/pocket door locks:

- O2002B (blank / passage)
- O2002C (for use with cylinders)
- O2002E (ER key)
- O2002T (thumb turn)



- A** 7/16" for doors 1 3/4" minimum  
1 1/32" for doors 1 3/8" minimum





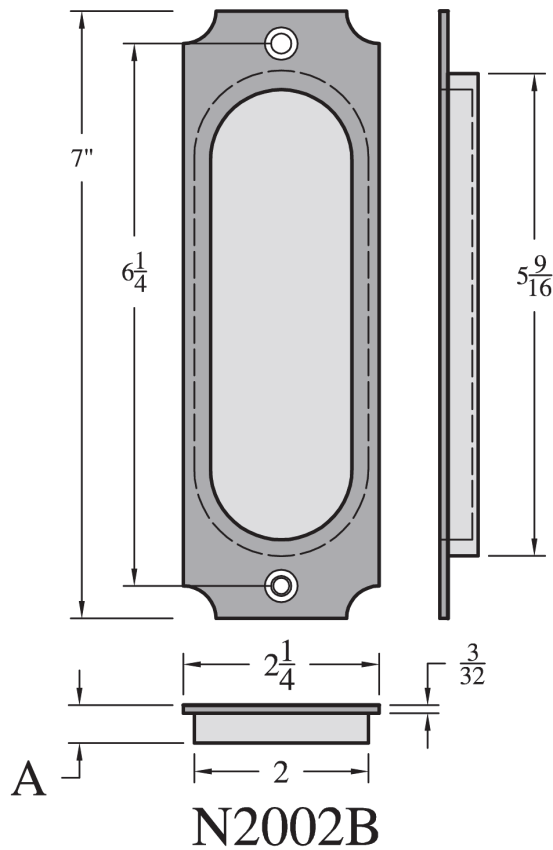
# 2002 Flush Pulls: "N" style (#N2002)

Premium flush pulls made out of solid brass or bronze and finished as required

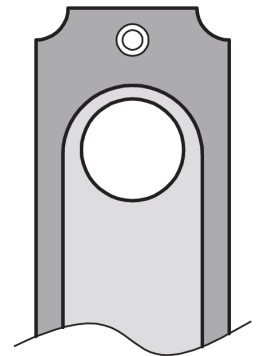
For use on 1 3/8", 1 3/4" or thicker doors—Please specify

Available in four functions to work with the #2000, #2001, #2002 sliding/pocket door locks:

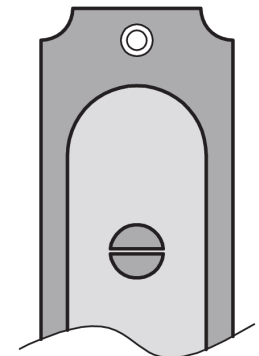
- N2002B (blank / passage)
- N2002C (for use with cylinders)
- N2002E (ER key)
- N2002T (thumb turn)



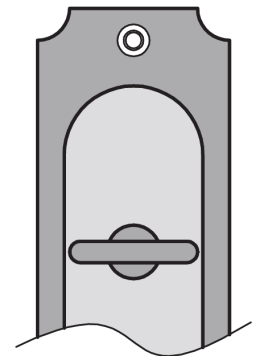
**A** 7/16" for doors 1 3/4" minimum  
1 1/32" for doors 1 3/8" minimum



N2002C



N2002E



N2002T

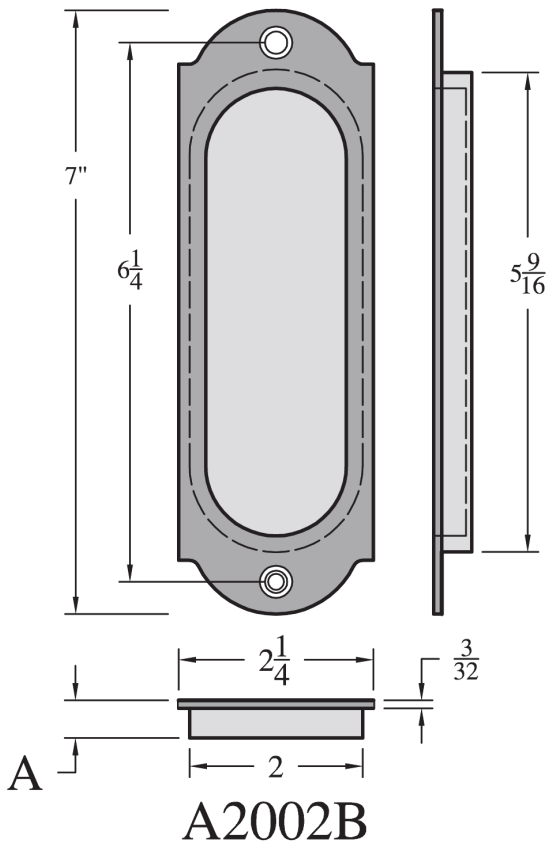
# 2002 Flush Pulls: "A" style (#A2002)

Premium flush pulls made out of solid brass or bronze and finished as required

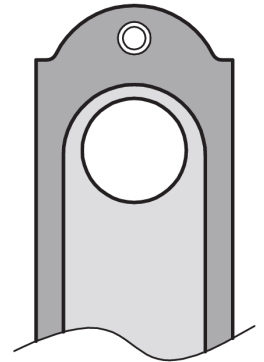
For use on 1 3/8", 1 3/4" or thicker doors—Please specify

Available in four functions to work with the #2000, #2001, #2002 sliding/pocket door locks:

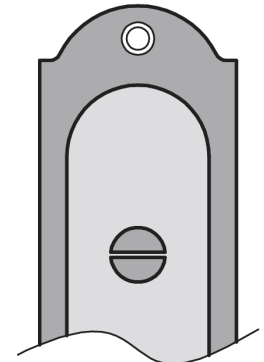
- A2002B (blank / passage)
- A2002C (for use with cylinders)
- A2002E (ER key)
- A2002T (thumb turn)



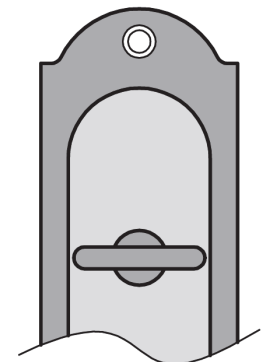
- A 7/16" for doors 1 3/4" minimum
- 11/32" for doors 1 3/8" minimum



**A2002C**



**A2002E**



**A2002T**

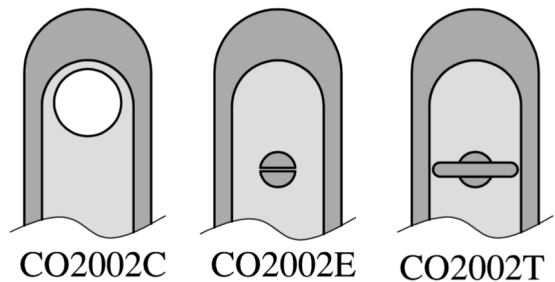
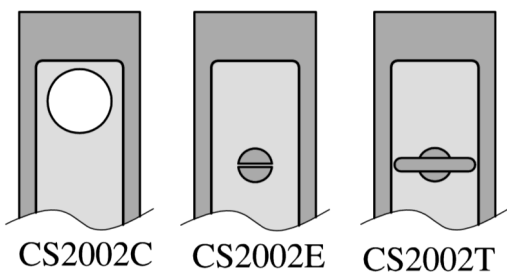
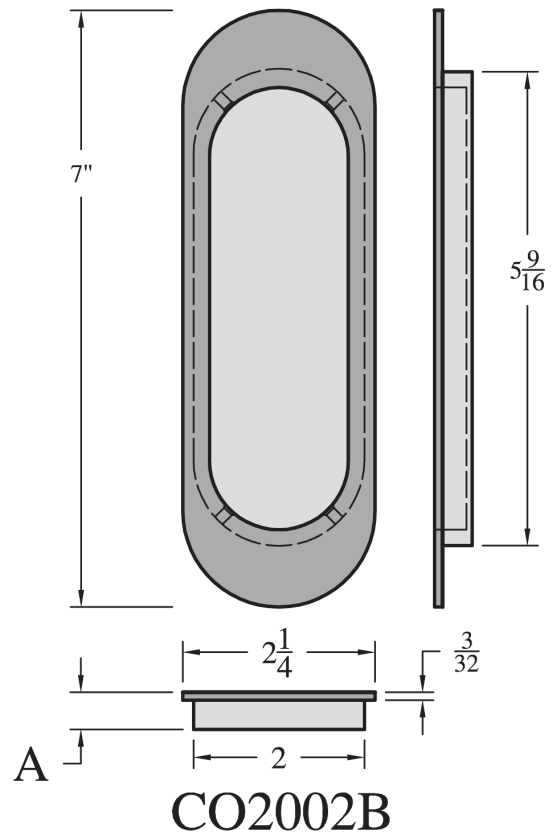
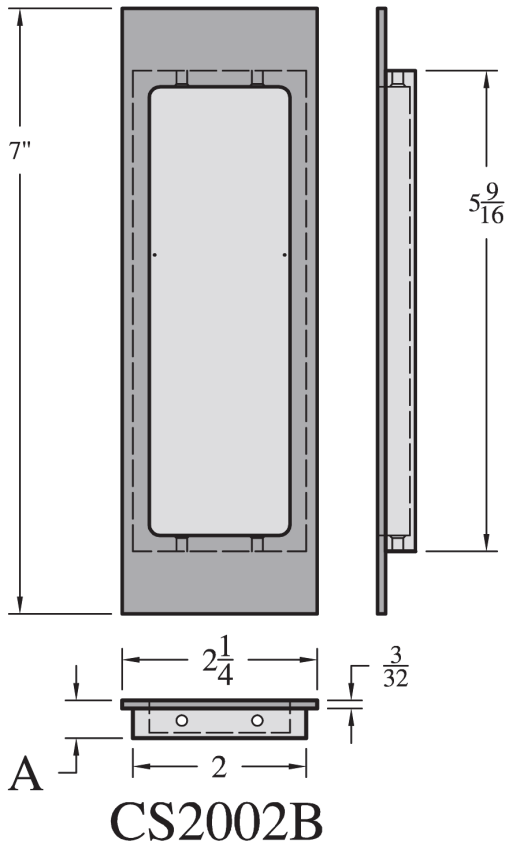
# 2002 Flush Pulls with Concealed Screws



Premium flush pulls made out of solid brass or bronze and finished as required

Similar to the standard 2002 flush pulls except with concealed screws

For use on doors 1 3/4" thick or greater—Please specify



A 7/16" for doors 1 3/4" minimum

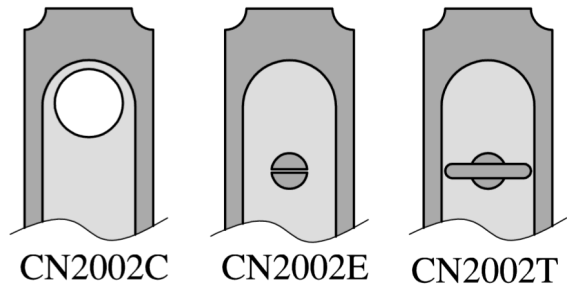
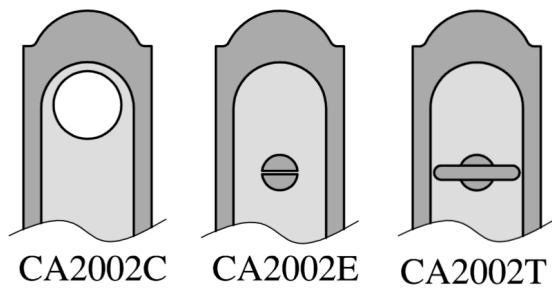
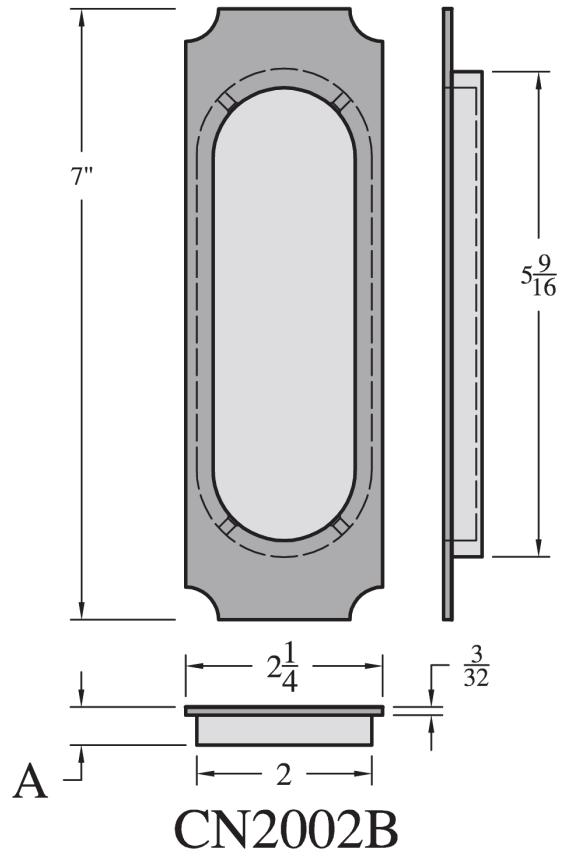
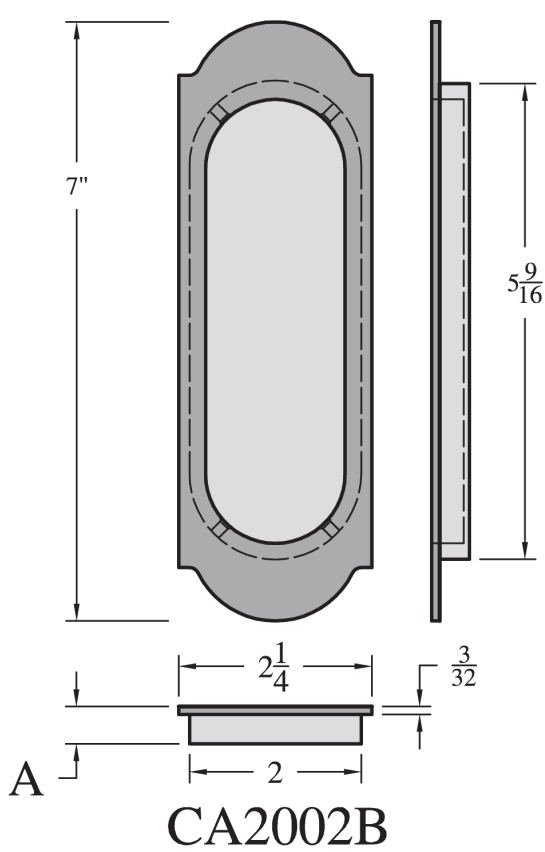
# 2002 Flush Pulls with Concealed Screws



Premium flush pulls made out of solid brass or bronze and finished as required

Similar to the standard 2002 flush pulls except with concealed screws

For use on doors 1 3/4" thick or greater—Please specify



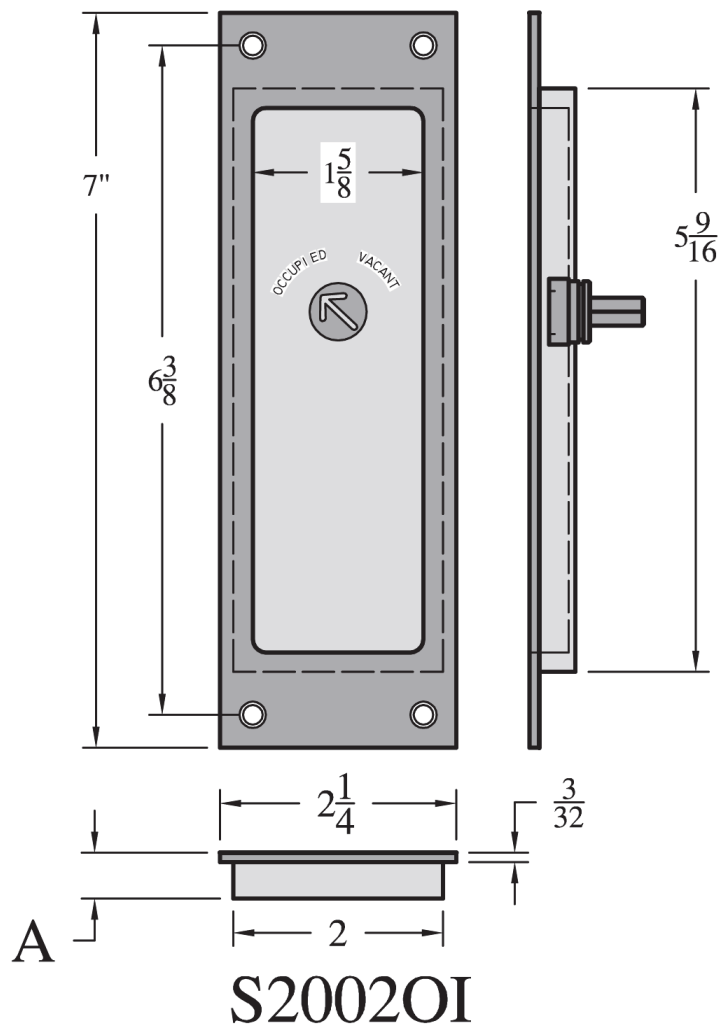
A 7/16" for doors 1 3/4" minimum

# 2002 Flush Pulls with "Occupancy Indicator"

Available in all 2002 flush pulls' styles -please specify

Engraved Occupied / Vacant

Handed



- A** 7/16" for doors 1 3/4" minimum  
11/32" for doors 1 3/8" minimum

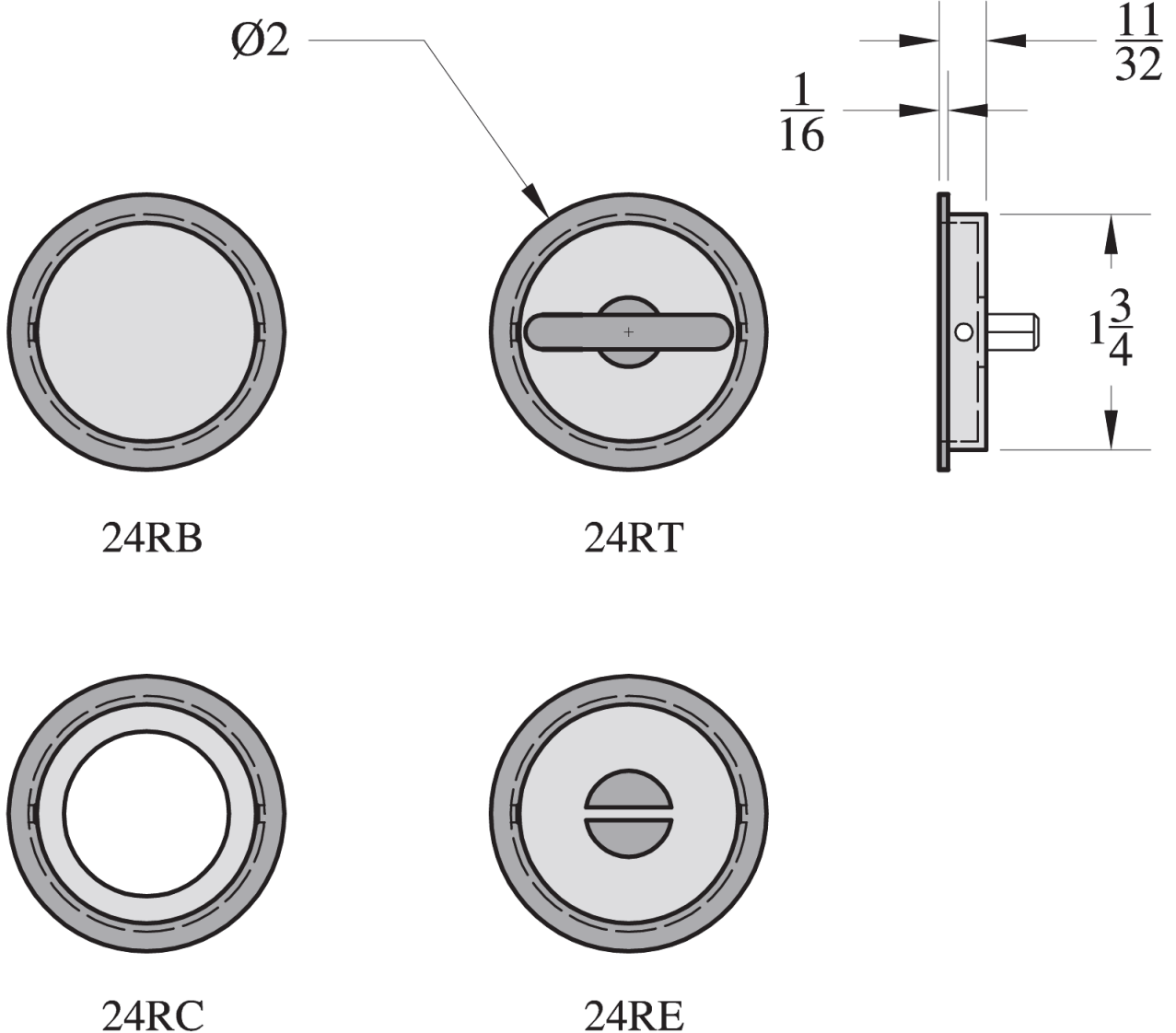
# 24R Flush Pulls

Premium flush pulls made out of solid brass or bronze and finished as required

For use on 1 3/8", 1 3/4" or thicker doors—Please specify

Available in four functions to work with the #2000, #2001, #2002 sliding/pocket door locks:

- 24RB (blank / passage)
- 24RC (for use with cylinders)
- 24RE (ER key)
- 24RT (thumb turn)



# 24S Flush Pulls

Premium flush pulls made out of solid brass or bronze and finished as required

For use on 1 3/8", 1 3/4" or thicker doors—Please specify

Available in four functions to work with the #2000, #2001, #2002 sliding/pocket door locks:

24SB (blank / passage)

24SC (for use with cylinders)

24SE (ER key)

24ST (thumb turn)

