

# Saint Louis Designs, Inc. Heavy Duty Magnetic-Tipped Push Latch for Large Doors

## 20125LP

U.S. Patent 6,669,250

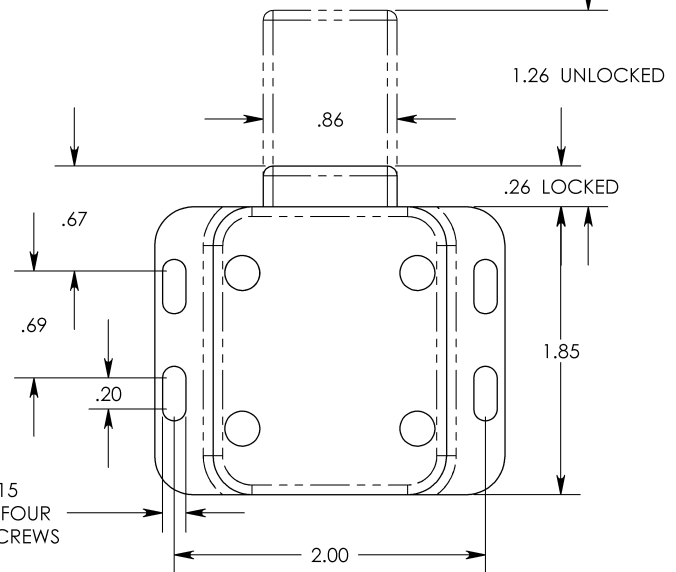
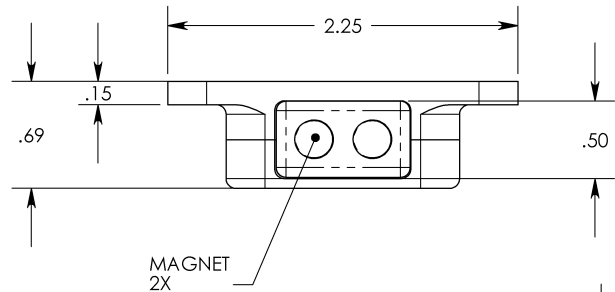


### THE ULTIMATE PUSH LATCH FOR PREMIUM FLUSH DOORS

When a full-sized door needs to completely disappear in the wall surface, uninterrupted by any hardware, a strong and quiet solution now exists which is up to the task. Engineered for the high-performance standards of the marine and aviation industries, this push latch is precision-machined from non-corrosive alloys with titanium components for superior durability.



- 12 lbs opening force (opens full-sized doors)
- available in anodized black or clear aluminum finish
- **individually** machined and tested in the USA
- strike plate included (not shown below)



not to scale

features :

- Spring Force : 12 lbs.
- Pull of 2 Neodymium Rare Earth Magnets : 6 lbs.
- 1-1/4" Bolt Extension
- Travel required to unlock = 0.08" (2mm)

manufactured by:

## Saint Louis Designs, Inc.

available from :

**better** BUILDING HARDWARE ]™

betterbuildinghardware.com +1-888-636-1627

The information in this drawing is the sole property of Saint Louis Designs, Inc. Any reproduction in part or whole without the written permission of Saint Louis Designs, Inc. is prohibited.