

halliday
baillie

SLIDING DOOR HARDWARE

HB 690 Series Privacy Locks

HB690/35 : Snib In, Emergency Release Out, Edge Pull

HB690 : Snib In, Emergency Release Out, Edge Pull

HB695 : Snib In, Emergency Release Out, Both 250mm Pulls, Edge Pull

HB 630 Series Keyed Locks

HB630 : Key/Snib Both Sides

HB632 : Key/Snib In, Blank Pull Out

HB638 : Key/Snib Both Sides + End Pull

HB 640 Narrow Backset Keyed Locks

HB640 : Key/Snib Both Sides

HB642 : Key/Snib In, Blank Pull Out

Add the Finish Code after the model number and specify door thickness.

ORDER CODES



halliday baillie

HB 690

SLIDING DOOR PRIVACY SET

The Halliday+Baillie HB 690 sliding door privacy set features an integrated push button-activated edge pull for pocketed doors. The operable snib slides upwards to engage the lock. The discrete emergency release can be operated with a pen or other small pointed object to disengage the lock from the outside.

In double door conditions, for the passive leaf specify the HB 697 Strike Body w/Edge Pull and add HB 660 Flush Pulls.

backset : 55mm (2.17")

minimum door thickness : 38mm (1.50")
note : for 1 3/8" thick doors, refer to HB 690/35

flush pulls : 170 (6.69") x 36 (1.41") x 14 (.55")

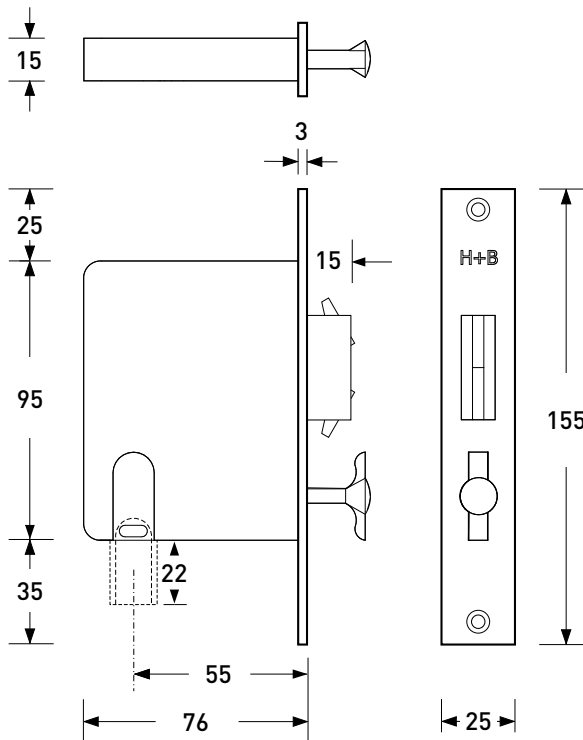
available in the following finishes :

- SC : Satin Chrome
- BC : Brushed Chrome
- PC : Polished Chrome
- BN : Brushed Nickel
- PN : Polished Nickel
- DB : Dark Bronze
- KC : Black Chrome (by special order)
- WT : Powder-Coated White (by special order)

standard HB 690 set includes:

- HB 690 Series Lock Body
- 2 Flush Pulls and HB 604 Timber Fixing Kits
- Strike and Dust Box
- Spindle (please specify door thickness)
- Fasteners

Lock body:



dustbox and strike plate



HB 604 Timber Fixing Kit



halliday baillie

HB 695

SLIDING DOOR PRIVACY SET

The HB 695 sliding door privacy set features an integrated push button-activated edge pull for pocketed doors. The operable snib slides upwards to engage the lock. The discrete emergency release can be operated with a pen or other small-pointed object to disengage the lock from the exterior.

In double door conditions, for the passive leaf specify the HB 697 Strike Body w/Edge Pull and add HB 665 Flush Pulls.

backset : 55mm (2.17")

minimum door thickness : 38mm (1.50")

flush pulls : 250 (9.84") x 36 (1.41") x 14 (.55")

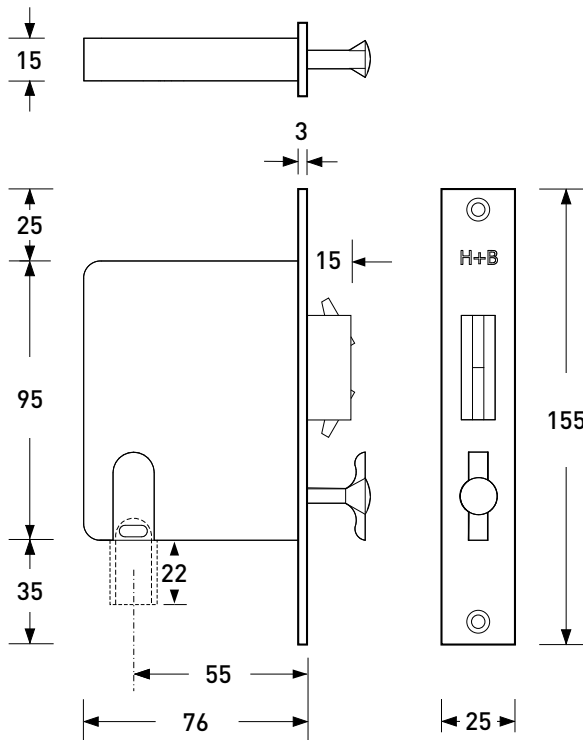
available in the following finishes :

- SC : Satin Chrome
- BC : Brushed Chrome
- PC : Polished Chrome
- BN : Brushed Nickel
- PN : Polished Nickel
- DB : Dark Bronze
- KC : Black Chrome (by special order)
- WT : Powder-Coated White (by special order)

standard HB 695 set includes:

- HB 690 Series Lock Body
- 2 Flush Pulls w/ HB 604 Timber Fixing Kits
- Strike and Dust Box
- Spindle (please specify door thickness)
- Fasteners

Lock body:





halliday baillie

HB 697

POCKET DOOR STRIKE BODY WITH INTEGRATED EDGE PULL

The Halliday+Baillie HB 697 pocket door strike body is designed to be paired with the HB690 series pocket door locks on the passive door leaf in bi-parting sliding door situations. The HB 697 integrates a strike with the HB 690 series push button-activated edge pull. Flush pulls are not included; *please order separately.*

minimum door thickness : 38mm (1.50")
when used with HB 660 or HB 665 flush pulls.

For 1 3/8" thick doors specify HB 660/35.

flush pulls : order separately

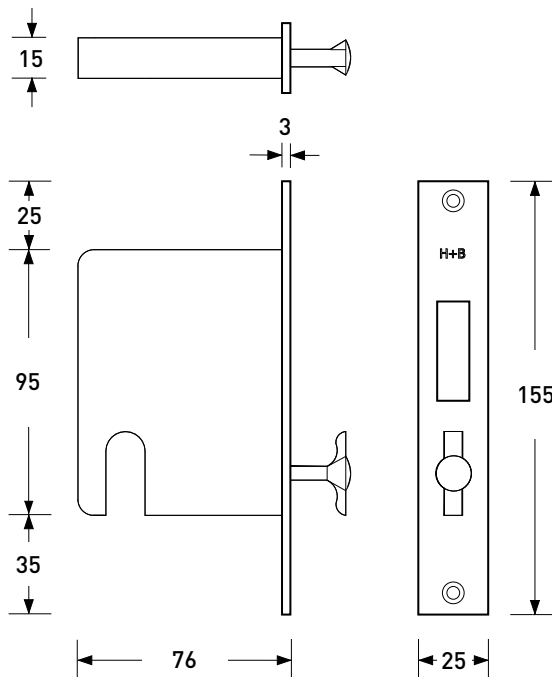
available in the following finishes :

- SC : Satin Chrome
- BC : Brushed Chrome
- PC : Polished Chrome
- BN : Brushed Nickel
- PN : Polished Nickel
- DB : Dark Bronze
- KC : Black Chrome (by special order)
- WT : Powder-Coated White (by special order)

standard HB 697 set includes:

- HB 697 Strike Body
- Fasteners

Lock body: shown here with HB 660 flush pull (not included)





halliday baillie

HB 630

SLIDING DOOR ENTRY LOCK SET

The Halliday+Baillie HB 630 sliding door lock set is keyed on both sides. Sliding the snib on either side operates the bolt unless the cylinder is engaged. The cylinder locks the snib; the key does not operate the bolt.

backset : 55mm (2.17")

minimum door thickness : 38mm (1.50")

flush pulls : 250 (9.80") x 36 (1.41") x 14 (.55")

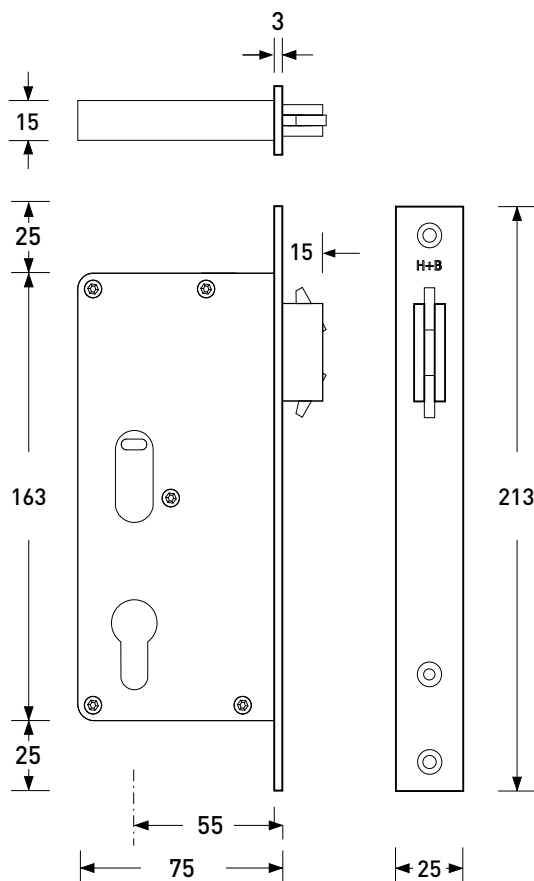
available in the following finishes :

- SC : Satin Chrome
- BC : Brushed Chrome
- PC : Polished Chrome
- BN : Brushed Nickel
- PN : Polished Nickel
- DB : Dark Bronze
- KC : Black Chrome (by special order)
- WT : Powder-Coated White (by special order)

standard HB 630 set includes :

- HB 630 Series Lock Body
- 2 Flush Pulls w/ HB 604 Timber Fixing Kits
- Strike and Dust Box
- Spindle (please specify door thickness)
- Fasteners

Full Profile Cylinder (sold separately)



Lock body:





halliday baillie

HB 632

SLIDING DOOR PATIO SET

The Halliday+Baillie HB 632 sliding door lock set is keyed on the inside only, for use where access from the exterior is not required when doors are locked. Sliding the snib on the inside operates the bolt unless the cylinder is engaged. The cylinder locks the snib; the key does not operate the bolt. The HB 632 requires a half profile cylinder.

backset : 55mm (2.17")

minimum door thickness : 38mm (1.50")

flush pulls : 250 (9.80") x 36 (1.41") x 14 (.55")

available in the following finishes :

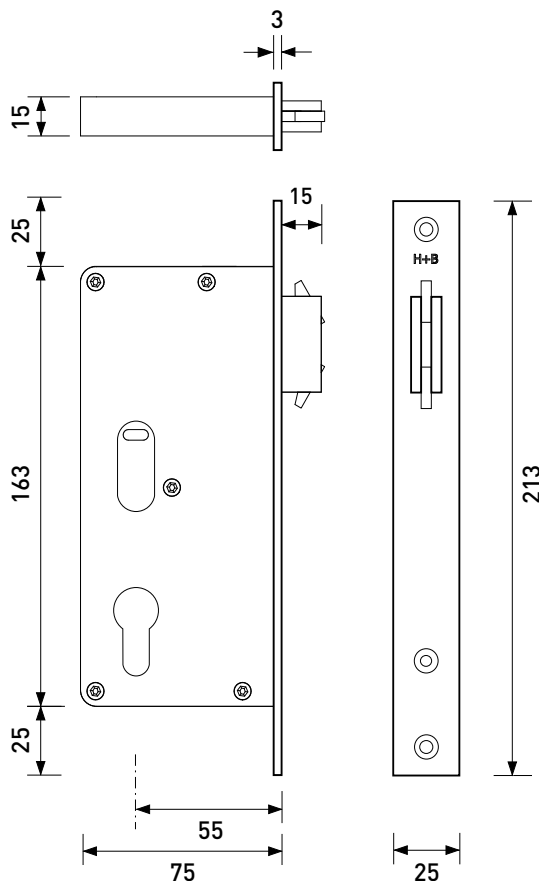
- SC : Satin Chrome
- BC : Brushed Chrome
- PC : Polished Chrome
- BN : Brushed Nickel
- PN : Polished Nickel
- DB : Dark Bronze
- KC : Black Chrome (by special order)
- WT : Powder-Coated White (by special order)

standard HB 632 set includes :

- HB 630 Series Lock Body
- 2 Flush Pulls w/ HB 604 Timber Fixing Kits
- Strike and Dust Box
- Spindle (please specify door thickness)
- Fasteners

Half Profile Cylinder (sold separately)

Lock body:





halliday baillie

HB 638

SLIDING DOOR ENTRY LOCK SET

The Halliday+Baillie HB 638 sliding door lock set is keyed on both sides and features a swing-out edge pull. Sliding the snib on either side operates the bolt unless the cylinder is engaged. The cylinder locks the snib; the key does not operate the bolt.

backset : 55mm (2.17")

minimum door thickness : 38mm (1.50")

flush pulls : 250 (9.80") x 36 (1.41") x 15 (.60")

available in the following finishes :

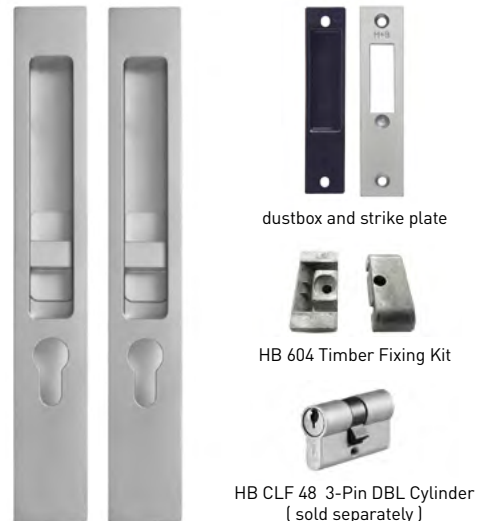
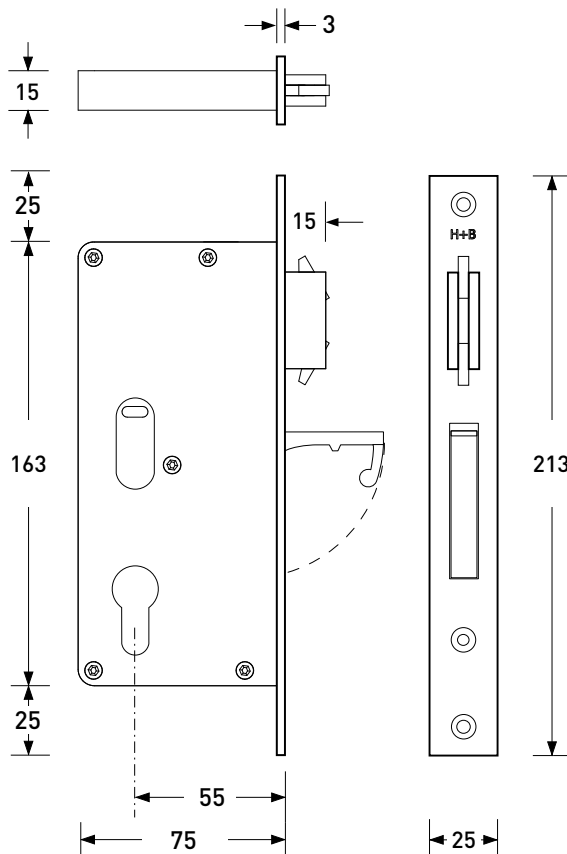
- SC : Satin Chrome
- BC : Brushed Chrome
- PC : Polished Chrome
- BN : Brushed Nickel
- PN : Polished Nickel
- DB : Dark Bronze
- KC : Black Chrome (by special order)
- WT : Powder-Coated White (by special order)

standard HB 638 set includes :

- HB 630 Series Lock Body w/ Edge Pull
- 2 Flush Pulls w/ HB 604 Timber Fixing Kits
- Strike and Dust Box
- Spindle (please specify door thickness)
- Fasteners

Full Profile Cylinder (sold separately)

Lock body:





halliday baillie

HB 640

SLIDING DOOR ENTRY LOCK SET

The Halliday+Baillie HB 640 sliding door lock set functions like the HB 630, keyed on both sides, but with a narrow backset of 33mm and a lock body depth of 45mm. It is designed for use in aluminum or timber sliding doors with narrow stiles (min. 2"). For a Patio Set with an HB 665 Flush Pull on the exterior, specify **HB 642** with a half profile cylinder.

Sliding the snib on either side operates the bolt unless the cylinder is engaged. The cylinder locks the snib; the key does not operate the bolt.

backset : 33mm (1.30")

minimum door thickness : 38mm (1.50")

flush pulls : 250 (9.80") x 36 (1.41") x 15 (.60")

available in the following finishes :

- SC : Satin Chrome
- BC : Brushed Chrome
- PC : Polished Chrome
- BN : Brushed Nickel
- PN : Polished Nickel
- DB : Dark Bronze
- KC : Black Chrome (by special order)
- WT : Powder-Coated White (by special order)

standard HB 640 Set includes :

- HB 640 Narrow Backset Lock Body
- 2 Flush Pulls w/ HB 604 Timber Fixing Kits
- Strike and Dust Box
- Spindle (please specify door thickness)
- Fasteners

Full Profile Cylinder (sold separately)

Lock body:

