

halliday
baillie

SLIDING DOOR HARDWARE

HB 690 Series Privacy Locks

HB690/35 : Snib In, Emergency Release Out, Edge Pull

HB690 : Snib In, Emergency Release Out, Edge Pull

HB695 : Snib In, Emergency Release Out, Both 250mm Pulls, Edge Pull

HB 630 Series Keyed Locks

HB630 : Key/Snib Both Sides

HB632 : Key/Snib In, Blank Pull Out

HB638 : Key/Snib Both Sides + End Pull

HB 640 Narrow Backset Keyed Locks

HB640 : Key/Snib Both Sides

HB642 : Key/Snib In, Blank Pull Out

Add the Finish Code after the model number and specify door thickness.

ORDER CODES



halliday baillie

HB 690

SLIDING DOOR PRIVACY SET

The Halliday+Baillie HB 690 sliding door privacy set features an integrated push button-activated edge pull for pocketed doors. The operable snib slides upwards to engage the lock. The discrete emergency release can be operated with a pen or other small pointed object to disengage the lock from the outside.

In double door conditions, for the passive leaf specify the HB 697 Strike Body w/Edge Pull and add HB 660 Flush Pulls.

backset : 55mm (2.17")

minimum door thickness : 38mm (1.50")
note : for 1 $\frac{3}{8}$ " thick doors, refer to HB 690/35

flush pulls : 170 (6.69") x 36 (1.41") x 14 (.55")

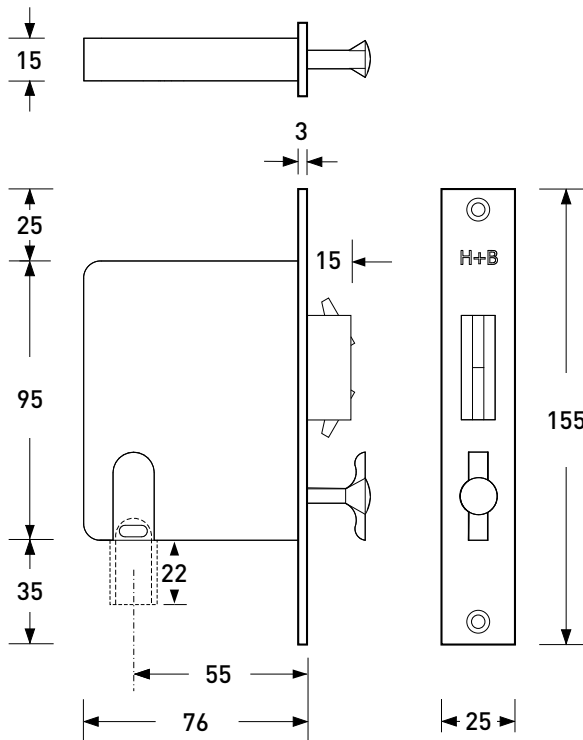
available in the following finishes :

- SC : Satin Chrome
- BC : Brushed Chrome
- PC : Polished Chrome
- BN : Brushed Nickel
- PN : Polished Nickel
- DB : Dark Bronze
- KC : Black Chrome (by special order)
- WT : Powder-Coated White (by special order)

standard HB 690 set includes:

- HB 690 Series Lock Body
- 2 Flush Pulls and HB 604 Timber Fixing Kits
- Strike and Dust Box
- Spindle (please specify door thickness)
- Fasteners

Lock body:



dustbox and strike plate



HB 604 Timber Fixing Kit



halliday baillie

HB 695

SLIDING DOOR PRIVACY SET

The HB 695 sliding door privacy set features an integrated push button-activated edge pull for pocketed doors. The operable snib slides upwards to engage the lock. The discrete emergency release can be operated with a pen or other small-pointed object to disengage the lock from the exterior.

In double door conditions, for the passive leaf specify the HB 697 Strike Body w/Edge Pull and add HB 665 Flush Pulls.

backset : 55mm (2.17")

minimum door thickness : 38mm (1.50")

flush pulls : 250 (9.84") x 36 (1.41") x 14 (.55")

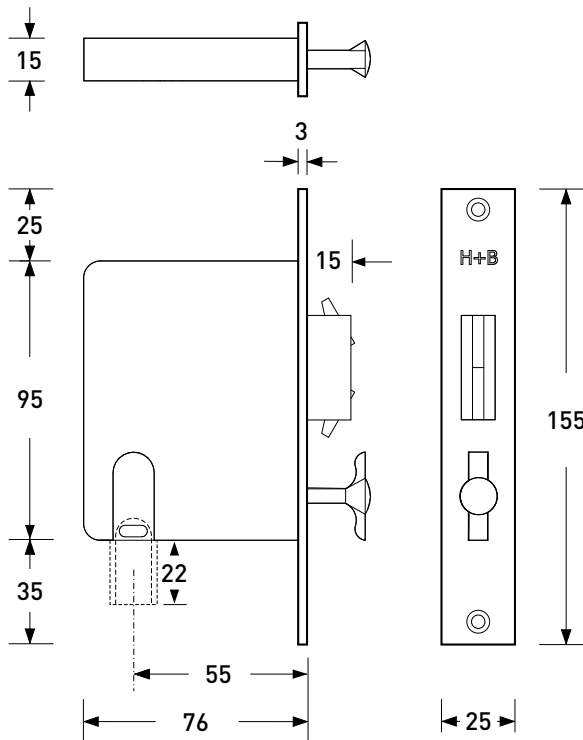
available in the following finishes :

- SC : Satin Chrome
- BC : Brushed Chrome
- PC : Polished Chrome
- BN : Brushed Nickel
- PN : Polished Nickel
- DB : Dark Bronze
- KC : Black Chrome (by special order)
- WT : Powder-Coated White (by special order)

standard HB 695 set includes:

- HB 690 Series Lock Body
- 2 Flush Pulls w/ HB 604 Timber Fixing Kits
- Strike and Dust Box
- Spindle (please specify door thickness)
- Fasteners

Lock body:





halliday baillie

HB 697

POCKET DOOR STRIKE BODY WITH INTEGRATED EDGE PULL

The Halliday+Baillie HB 697 pocket door strike body is designed to be paired with the HB 690 series pocket door locks on the passive door leaf in bi-parting sliding door situations. The HB 697 integrates a strike with the HB 690 series push button-activated edge pull. Flush pulls are not included; *please order separately*.

minimum door thickness : 38mm (1.50")
when used with HB 660 or HB 665 flush pulls.

For 1 3/8" thick doors specify HB 660/35.

flush pulls : order separately

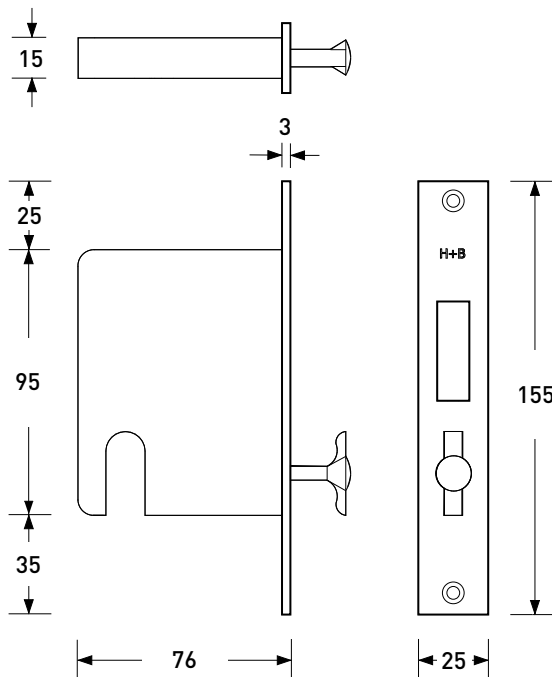
available in the following finishes :

- SC : Satin Chrome
- BC : Brushed Chrome
- PC : Polished Chrome
- BN : Brushed Nickel
- PN : Polished Nickel
- DB : Dark Bronze
- KC : Black Chrome (by special order)
- WT : Powder-Coated White (by special order)

standard HB 697 set includes:

- HB 697 Strike Body
- Fasteners

Lock body: shown here with HB 660 flush pull (not included)





halliday baillie

HB 630

SLIDING DOOR ENTRY LOCK SET

The Halliday+Baillie HB 630 sliding door lock set is keyed on both sides. Sliding the snib on either side operates the bolt unless the cylinder is engaged. The cylinder locks the snib; the key does not operate the bolt.

backset : 55mm (2.17")

minimum door thickness : 38mm (1.50")

flush pulls : 250 (9.80") x 36 (1.41") x 14 (.55")

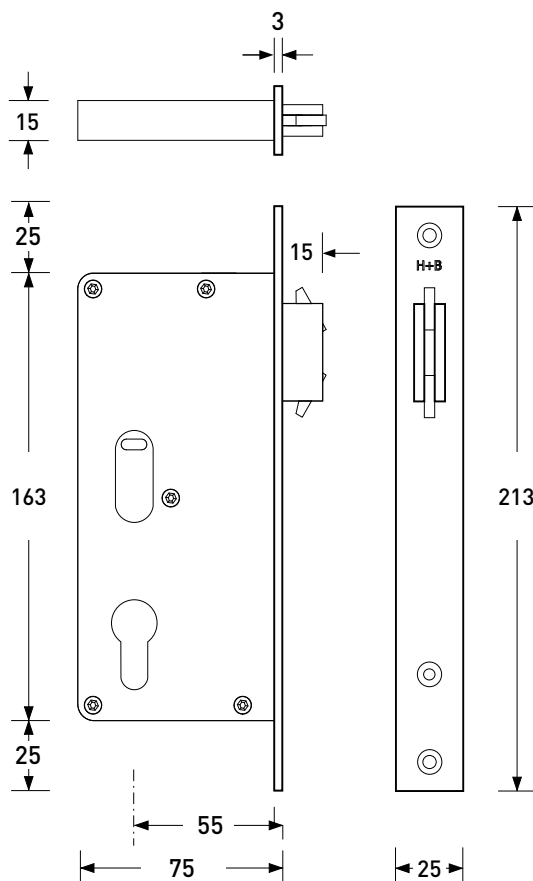
available in the following finishes :

- SC : Satin Chrome
- BC : Brushed Chrome
- PC : Polished Chrome
- BN : Brushed Nickel
- PN : Polished Nickel
- DB : Dark Bronze
- KC : Black Chrome (by special order)
- WT : Powder-Coated White (by special order)

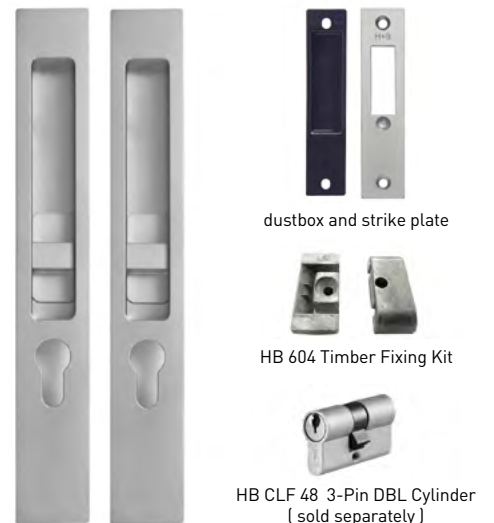
standard HB 630 set includes :

- HB 630 Series Lock Body
- 2 Flush Pulls w/ HB 604 Timber Fixing Kits
- Strike and Dust Box
- Spindle (please specify door thickness)
- Fasteners

Full Profile Cylinder (sold separately)



Lock body:





halliday baillie

HB 632

SLIDING DOOR PATIO SET

The Halliday+Baillie HB 632 sliding door lock set is keyed on the inside only, for use where access from the exterior is not required when doors are locked. Sliding the snib on the inside operates the bolt unless the cylinder is engaged. The cylinder locks the snib; the key does not operate the bolt. The HB 632 requires a half profile cylinder.

backset : 55mm (2.17")

minimum door thickness : 38mm (1.50")

flush pulls : 250 (9.80") x 36 (1.41") x 14 (.55")

available in the following finishes :

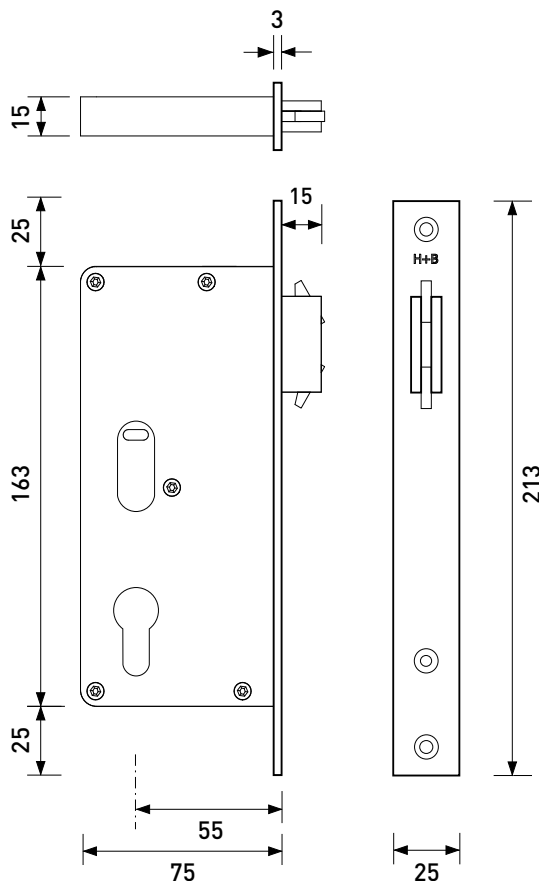
- SC : Satin Chrome
- BC : Brushed Chrome
- PC : Polished Chrome
- BN : Brushed Nickel
- PN : Polished Nickel
- DB : Dark Bronze
- KC : Black Chrome (by special order)
- WT : Powder-Coated White (by special order)

standard HB 632 set includes :

- HB 630 Series Lock Body
- 2 Flush Pulls w/ HB 604 Timber Fixing Kits
- Strike and Dust Box
- Spindle (please specify door thickness)
- Fasteners

Half Profile Cylinder (sold separately)

Lock body:



dustbox and strike plate



HB 604 Timber Fixing Kit



HB CLF 48 3-Pin Half Cylinder
(sold separately)



halliday baillie

HB 638

SLIDING DOOR ENTRY LOCK SET

The Halliday+Baillie HB 638 sliding door lock set is keyed on both sides and features a swing-out edge pull. Sliding the snib on either side operates the bolt unless the cylinder is engaged. The cylinder locks the snib; the key does not operate the bolt.

backset : 55mm (2.17")

minimum door thickness : 38mm (1.50")

flush pulls : 250 (9.80") x 36 (1.41") x 15 (.60")

available in the following finishes :

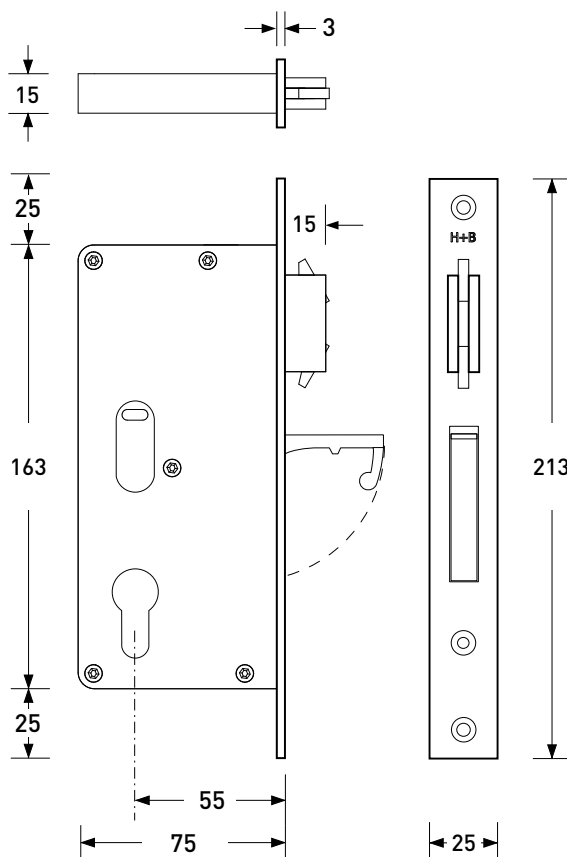
- SC : Satin Chrome
- BC : Brushed Chrome
- PC : Polished Chrome
- BN : Brushed Nickel
- PN : Polished Nickel
- DB : Dark Bronze
- KC : Black Chrome (by special order)
- WT : Powder-Coated White (by special order)

standard HB 638 set includes :

- HB 630 Series Lock Body w/ Edge Pull
- 2 Flush Pulls w/ HB 604 Timber Fixing Kits
- Strike and Dust Box
- Spindle (please specify door thickness)
- Fasteners

Full Profile Cylinder (sold separately)

Lock body:





halliday baillie

HB 640

SLIDING DOOR ENTRY LOCK SET

The Halliday+Baillie HB 640 sliding door lock set functions like the HB 630, keyed on both sides, but with a narrow backset of 33mm and a lock body depth of 45mm. It is designed for use in aluminum or timber sliding doors with narrow stiles (min. 2"). For a Patio Set with an HB 665 Flush Pull on the exterior, specify **HB 642** with a half profile cylinder.

Sliding the snib on either side operates the bolt unless the cylinder is engaged. The cylinder locks the snib; the key does not operate the bolt.

backset : 33mm (1.30")

minimum door thickness : 38mm (1.50")

flush pulls : 250 (9.80") x 36 (1.41") x 15 (.60")

available in the following finishes :

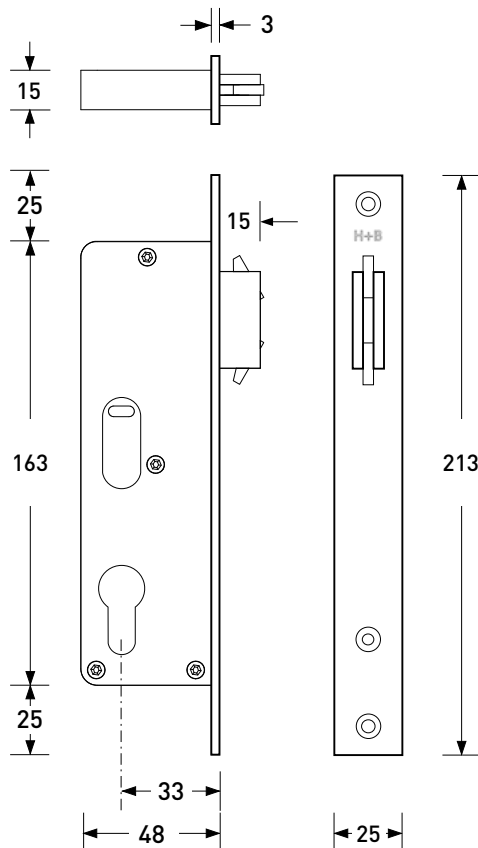
- SC : Satin Chrome
- BC : Brushed Chrome
- PC : Polished Chrome
- BN : Brushed Nickel
- PN : Polished Nickel
- DB : Dark Bronze
- KC : Black Chrome (by special order)
- WT : Powder-Coated White (by special order)

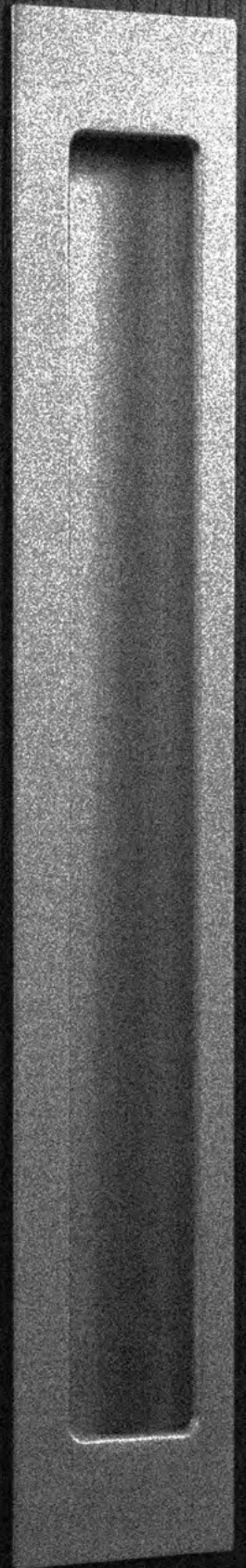
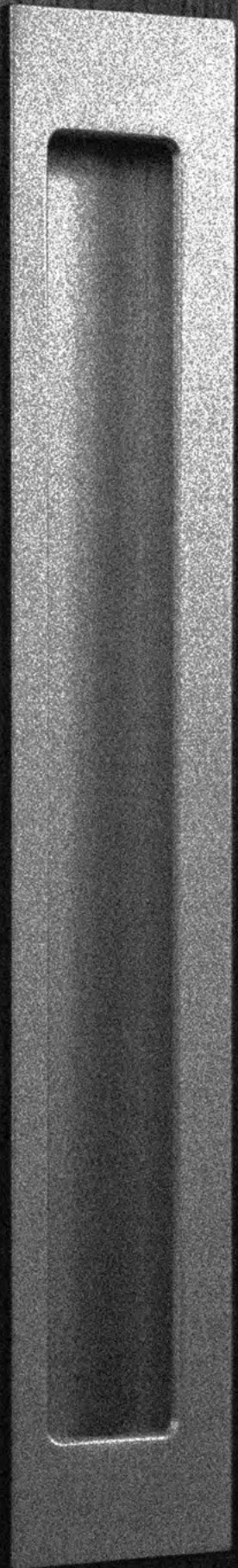
standard HB 640 Set includes :

- HB 640 Narrow Backset Lock Body
- 2 Flush Pulls w/ HB 604 Timber Fixing Kits
- Strike and Dust Box
- Spindle (please specify door thickness)
- Fasteners

Full Profile Cylinder (sold separately)

Lock body:





PULLS

Edge Pulls

HB680 : push-button activated

Flush Pulls

HB650 : 36 mm x 100 mm x 14 mm

HB660 : 36 mm x 170 mm x 14 mm

HB660/35 : 36 mm x 170 mm x 12 mm

HB665 : 36 mm x 250 mm x 14 mm

HB668 : 36 mm x 250 mm x 14 mm

HB670 : 36 mm x 170 mm x 18 mm

HB675 : 46 mm x 170 mm x 18 mm

HB1470 : 50 mm x 310 mm x 15 mm

HB1475 : 50 mm x 310 mm x 15 mm

Add the Finish Code after the model number.

All Flush Pulls are shipped with their respective Timber Fixing Kit.

ORDER CODES

halliday baillie



HB 680

PUSH-BUTTON EDGE PULL

The Halliday+Baillie HB680 Push Button-Activated Edge Pull for pocket doors has been redesigned to match the 170mm height of the HB 660 Flush Pull. Its slim faceplate, smooth push-button release, and narrow 48mm body depth make it suitable for all sliding wood passage doors, including narrow stile timber and aluminium pocket doors.

material : diecast zinc and brass

lock box : 100 (3.90") x 49 (1.90") x 12 (.47")

available in the following finishes :

SC : Satin Chrome

BC : Brushed Chrome

PC : Polished Chrome

BN : Brushed Nickel

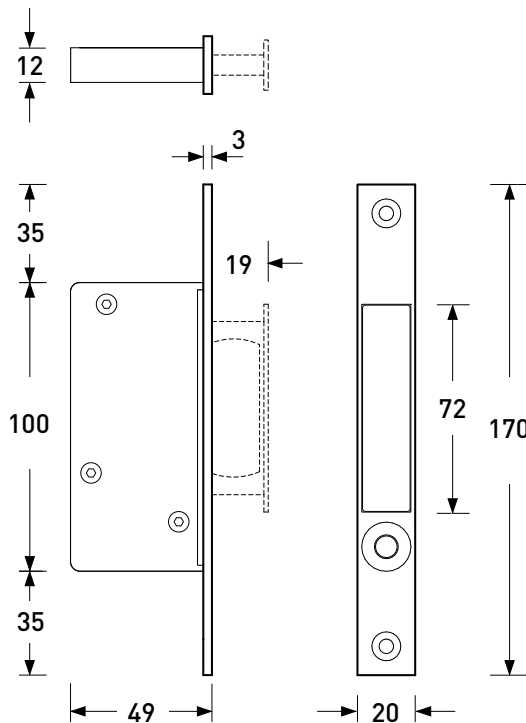
PN : Polished Nickel

DB : Dark Bronze

KC : Black Chrome (by special order)

WT : Powder-Coated White (by special order)

shown here with HB 660 flush pull (not included)



HB 650

FLUSH PULL : SHORT

The Halliday+Baillie HB 650 Flush Pull is the diminutive version of the classic HB 660. Use this pull with the HB 680 Edge Pull for pocket doors for a modest passage set or for smaller doors and furniture to provide a consistent appearance across door types in a project where other Halliday+Baillie Flush Pulls are specified.

Each HB 650 Flush Pull is shipped with one set of the HB 604 Timber Fixing hardware, previously sold separately.

material : diecast zinc and brass

dimensions : 100 (3.94") x 36 (1.41") x 14 (.55")

internal grip depth : 12mm (.47")

available in the following finishes :

SC : Satin Chrome

BC : Brushed Chrome

PC : Polished Chrome

BN : Brushed Nickel

PN : Polished Nickel

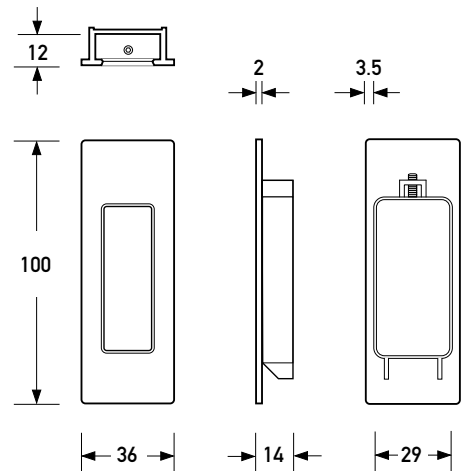
DB : Dark Bronze

KC : Black Chrome (by special order)

WT : Powder-Coated White (by special order)



Includes one set HB 604 Timber Fixing Kit:



HB 660 FLUSH PULL

The Halliday+Baillie HB 660 Flush Pull sets the standard for elegant simplicity. Use this pull with the HB 680 Edge Pull for pocket doors and on projects where the HB 690 sliding door lock is specified for privacy doors.

If using together with the HB 680 Edge Pull on 1 $\frac{3}{8}$ " thick doors, please specify the HB 660/35.

Each HB 660 Flush Pull is shipped with one set of the HB 604 Timber Fixing hardware, previously sold separately.

material : diecast zinc and brass

dimensions : 170 (6.70") x 36 (1.41") x 14 (.51")

internal grip depth : 12mm (.47")

available in the following finishes :

SC : Satin Chrome

BC : Brushed Chrome

PC : Polished Chrome

BN : Brushed Nickel

PN : Polished Nickel

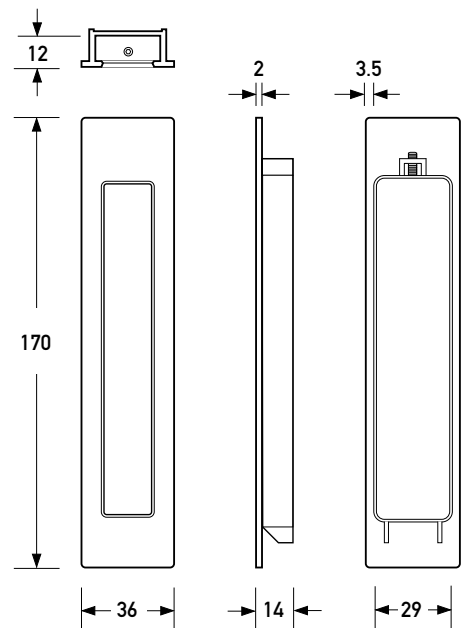
DB : Dark Bronze

KC : Black Chrome (by special order)

WT : Powder-Coated White (by special order)



Includes one set HB 604 Timber Fixing Kit:



**halliday
baillie**

HB 660/35

FLUSH PULL : SHALLOW

The Halliday+Baillie HB 660/35 Flush Pull provides the same dimensions as the standard HB 660 but with a shallower depth for use for use together with the HB 680 Edge Pull on 1 $\frac{3}{8}$ " doors (or doors between 33mm and 38mm thick).

Each HB 660/35 Flush Pull is shipped with one set of the HB 604 Timber Fixing hardware, previously sold separately.

material : diecast zinc and brass

dimensions : 170 (6.70") x 36 (1.41") x 12 (.39")

internal grip depth : 10mm (.39")

available in the following finishes :

SC : Satin Chrome

BC : Brushed Chrome

PC : Polished Chrome

BN : Brushed Nickel

PN : Polished Nickel

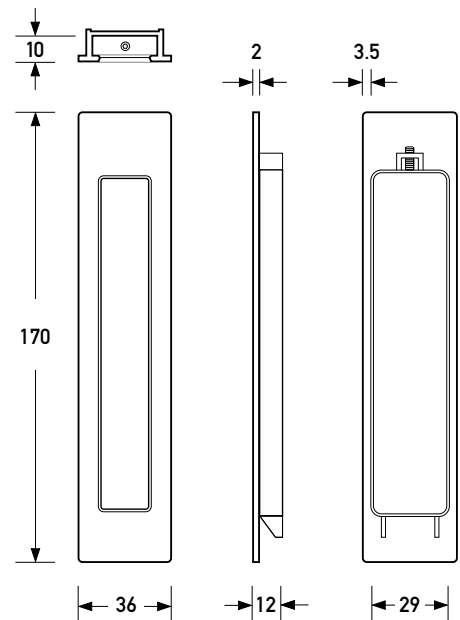
DB : Dark Bronze

KC : Black Chrome (by special order)

WT : Powder-Coated White (by special order)



Includes one set HB 604 Timber Fixing Kit:



halliday baillie

HB 665

FLUSH PULL

The Halliday+Baillie HB 665 Flush Pull presents elegantly slim proportions for sliding doors where a stronger presence is desired.

Each HB 665 Flush Pull is shipped with one set of the HB 604 Timber Fixing hardware, previously sold separately.

material : diecast zinc and brass

dimensions : 250 (9.84") x 36 (1.42") x 14 (.55")

internal grip depth : 12mm (.47")

available in the following finishes :

SC : Satin Chrome

BC : Brushed Chrome

PC : Polished Chrome

BN : Brushed Nickel

PN : Polished Nickel

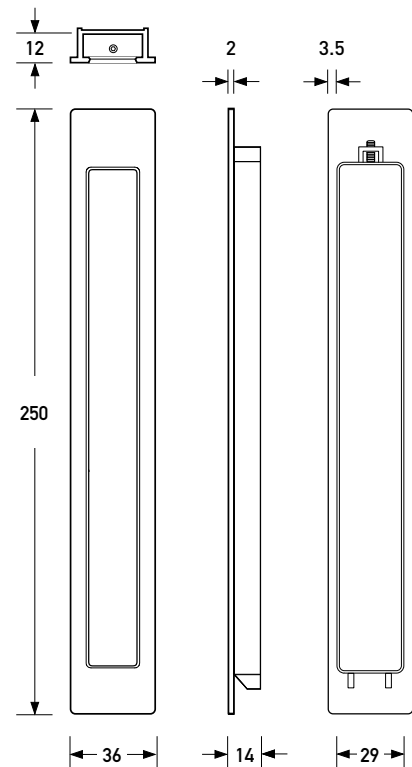
DB : Dark Bronze

KC : Black Chrome (by special order)

WT : Powder-Coated White (by special order)



Includes one set HB 604 Timber Fixing Kit:



HB 668

FLUSH PULL

The Halliday+Baillie HB 668 Flush Pull matches the outlines of the 250mm flush pulls in the HB 630 Series keyed entry lock sets. Though it is perfect for mirroring the HB 630 in double door situations, it is a handsome flush pull in its own right.

Each HB 668 Flush Pull is shipped with one set of the HB 604 Timber Fixing hardware, previously sold separately.

material : diecast zinc and brass

dimensions : 250 (9.84") x 36 (1.42") x 14 (.55")

internal grip depth : 12mm (.47")

available in the following finishes :

SC : Satin Chrome

BC : Brushed Chrome

PC : Polished Chrome

BN : Brushed Nickel

PN : Polished Nickel

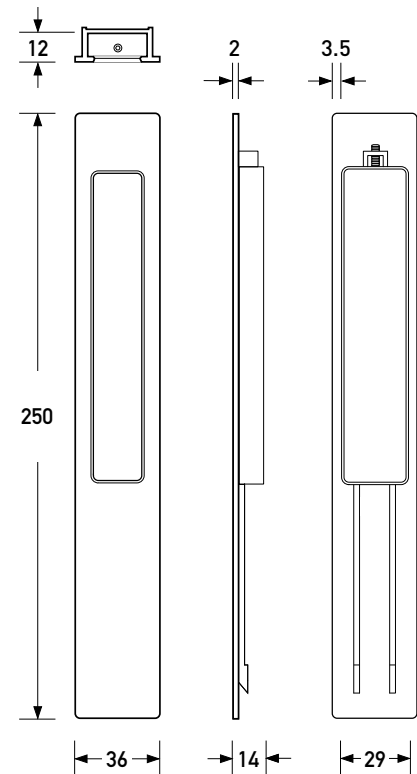
DB : Dark Bronze

KC : Black Chrome (by special order)

WT : Powder-Coated White (by special order)



Includes one set HB 604 Timber Fixing Kit:



HB 670

FLUSH PULL DEEP

The HB 670 is a variant of the HB 660 with the same external dimensions but a deeper internal depth of 16mm. It is ideal for applying the extra force you need to move large heavy sliders or when a more generous grip is preferred.

Each HB 670 Flush Pull is shipped with one set of the HB 604 Timber Fixing hardware, previously sold separately.

material : diecast zinc and brass

dimensions : 170 (6.70") x 36 (1.41") x 18 (.71")

internal grip depth : 16mm (.63")

available in the following finishes :

SC : Satin Chrome

BC : Brushed Chrome

PC : Polished Chrome

BN : Brushed Nickel

PN : Polished Nickel

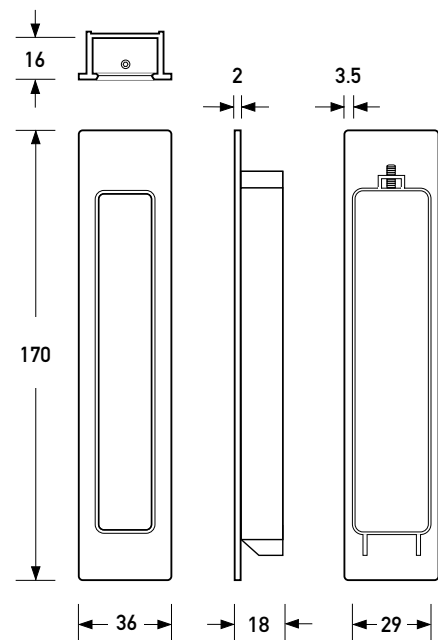
DB : Dark Bronze

KC : Black Chrome (by special order)

WT : Powder-Coated White (by special order)



Includes one set HB 604 Timber Fixing Kit:



HB 675

LARGE BI-FOLD FLUSH PULL

Designed primarily for use with bi-fold doors, the Halliday+Baillie HB 675 Flush Pull would just as well suit pivot doors or kitchen drawers. It provides a comfortable molded lip and generous 16mm internal depth.

These pulls are handed. Please specify LH or RH. Right-Hand model shown here.

Each HB 675 Flush Pull is shipped with one set of the HB 604 Timber Fixing hardware, previously sold separately.

material : diecast zinc and brass

dimensions : 170 (6.70") x 46 (.81") x 18 (.71")

internal grip depth : 16mm (.63")

available in the following finishes :

SC : Satin Chrome

BC : Brushed Chrome

PC : Polished Chrome

BN : Brushed Nickel

PN : Polished Nickel

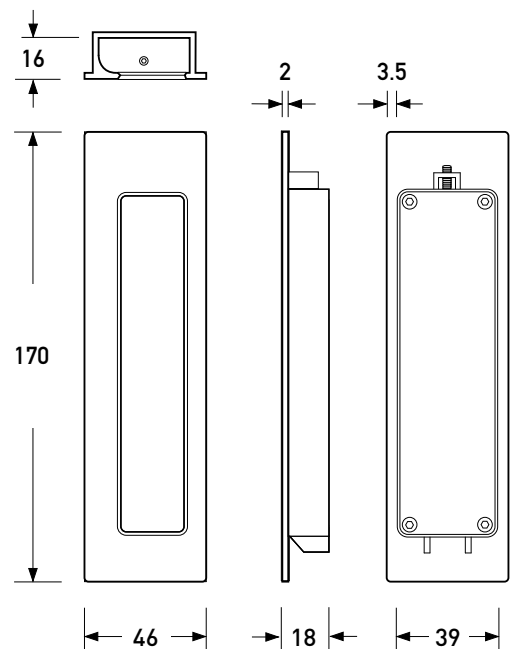
DB : Dark Bronze

KC : Black Chrome (by special order)

WT : Powder-Coated White (by special order)



Includes one set HB 604 Timber Fixing Kit:



halliday baillie

HB 1470

LARGE FLUSH PULL

Designed to complement the existing range of Halliday+Baillie Flush Pulls, the HB 1470 can sit comfortably on a large sliding door without looking inappropriately lost. It's companion, the HB 1475 Large Bi-Fold Flush Pull can be used on the same project to provide a consistent appearance between door types.

Each HB 1470 flush pull is shipped with one set of the HB 1471 Timber Fixing hardware.

material : brass

dimensions : 310 (12.2") x 50 (1.96") x 15 (.60")

internal grip depth : 13mm (.51")

available in the following finishes :

SC : Satin Chrome

BC : Brushed Chrome

PC : Polished Chrome

BN : Brushed Nickel

PN : Polished Nickel

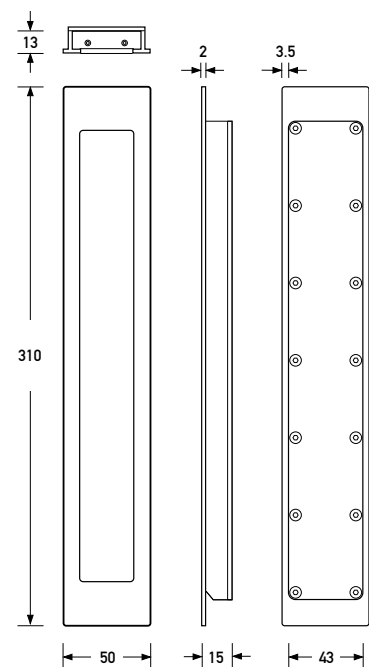
DB : Dark Bronze

KC : Black Chrome (by special order)

WT : Powder-Coated White (by special order)



Includes one set HB 1471 Timber Fixing Kit :



halliday baillie

HB 1475

LARGE BI-FOLD FLUSH PULL

The HB 1475 Flush Pull is designed to allow for the increased pull required to open large pivot or bi-folding doors with its ample interior finger grip suitable for pulling doors open rather than sliding. Its equally impressive companion, the HB 1470 Large Flush Pull, can be used on the same project to provide a consistent appearance across door types.

These pulls are handed. Please specify LH or RH.
Left-Hand model shown here.

Each HB 1475 flush pull is shipped with one set of the HB 1471 Timber Fixing hardware.

material : brass

dimensions : 310 (12.20") x 50 (1.96") x 15 (.60")

internal grip depth : 13mm (.51")

available in the following finishes :

SC : Satin Chrome

BC : Brushed Chrome

PC : Polished Chrome

BN : Brushed Nickel

PN : Polished Nickel

DB : Dark Bronze

KC : Black Chrome (by special order)

WT : Powder-Coated White (by special order)



Includes one set HB 1471 Timber Fixing Kit :

