

**halliday
baillie**

HB 760 TALL MAGNETIC DOOR STOP

Halliday+Baillie's floor-mounted HB 760 Magnetic Door Stop provides a useful alternative to its cubic cousin for when a mechanical hold open function is required in a step down situation. The door-mounted steel keeper is finished to match and nests perfectly into the magnet providing a strong holding force to secure larger doors.

Ships with 25mm high Solid Elevating Base.

Suitable for interior or covered exterior use.
Includes steel keeper (below), and all fasteners.

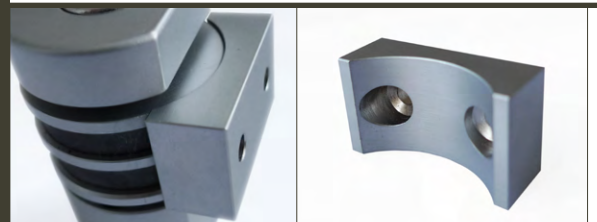
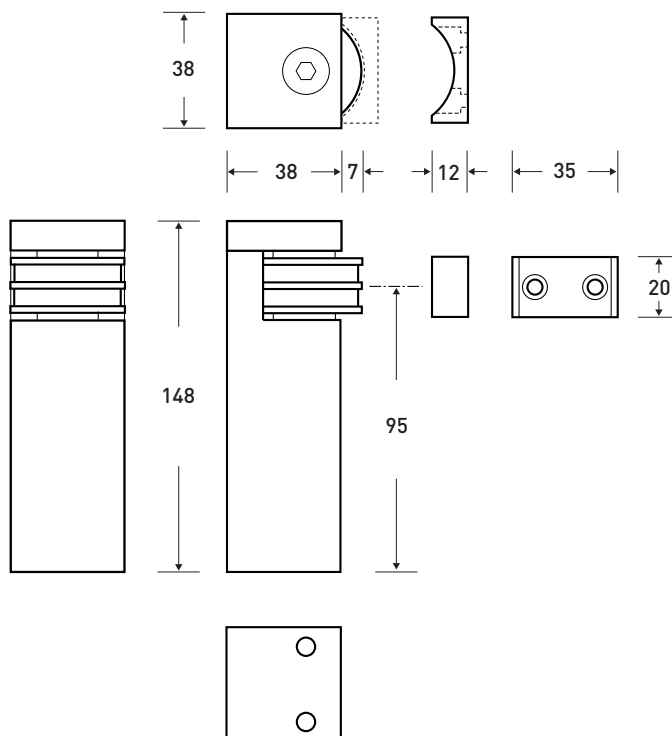
material : Aluminum-alloy, stainless steel fasteners, steel keeper and ferrous magnets.

dimensions : 38 (1.50") W x 38 D x 148 (5.82") H

available in the following finishes :

SC : Satin Chrome

DB : Dark Bronze



centerline of magnet and keeper : 95 (3.74") AFF

Solid Elevating Base (included w/ HB 760)

dimensions : 50 (2.00") W x 50 D x 25 (1.00") H

centerline of magnet with base : 120 (4.72") AFF

available in the following finishes :

SC : Satin Chrome

DB : Dark Bronze

