



**halliday  
baillie**

## HB 690

### POCKET DOOR PRIVACY SET

The Halliday+Baillie HB 690 pocket door privacy set features an integrated push button-activated edge pull for pocketed doors. The operable snib slides upwards to engage the lock. The discrete emergency release can be operated with a pen or other small, pointed object to disengage the lock from the outside.

In double door conditions, for the passive leaf specify the HB 697 Strike Body w/ Edge Pull and add HB 660 Flush Pulls.

**backset** : 55mm ( 2.17" )

**minimum door thickness** : 38mm ( 1.50" )  
note : for 1 3/8" thick doors, refer to HB 690/35

**flush pulls** : 170 ( 6.69" ) x 36 ( 1.41" ) x 14 ( .55" )

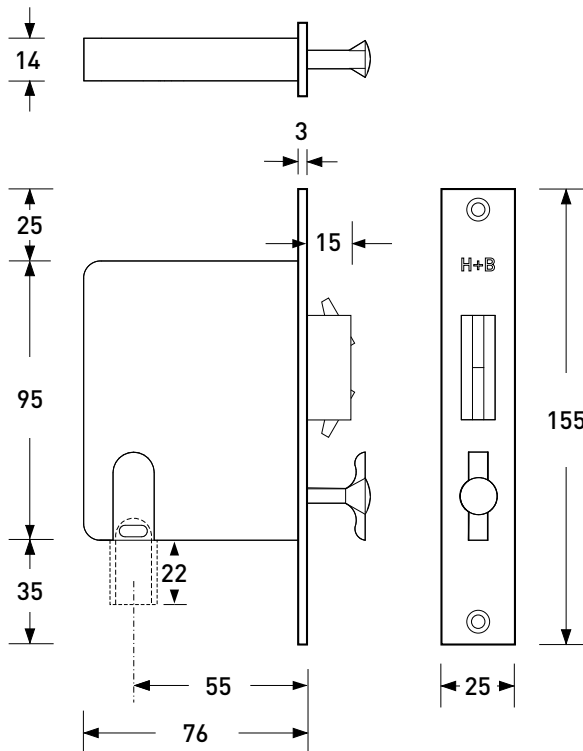
**available in the following finishes :**

- SC : Satin Chrome
- BC : Brushed Chrome
- PC : Polished Chrome
- BN : Brushed Nickel
- PN : Polished Nickel
- DB : Dark Bronze
- KC : Black Chrome ( by special order )
- WT : Powder-Coated White ( by special order )

**standard HB 690 set includes:**

- HB 690 Series Lock Body
- 2 Flush Pulls and HB 604 Timber Fixing Kits
- Strike and Dust Box
- Spindle ( please specify door thickness )
- Fasteners

Lock body :



dustbox and strike plate



HB 604 Timber Fixing Kit