



**halliday  
baillie**

## HB 640

### SLIDING DOOR ENTRY LOCK SET NARROW BACKSET

The Halliday+Baillie HB640 sliding door lock set functions like the HB630, keyed on both sides, but with a narrow backset of 33mm and a lock body depth of 45mm. It is designed for use in aluminum or timber sliding doors with narrow stiles (min. 2").

Sliding the snib on either side operates the bolt unless the cylinder is engaged. The cylinder locks the snib; the key does not operate the bolt.

**backset** : 33mm ( 1.30" )

**minimum door thickness** : 38mm ( 1.50" )

**flush pulls** : 250 ( 9.80" ) x 36 ( 1.41" ) x 15 ( .60" )

**available in the following finishes :**

SC : Satin Chrome

BC : Brushed Chrome

PC : Polished Chrome

BN : Brushed Nickel

PN : Polished Nickel

DB : Dark Bronze

KC : Black Chrome ( by special order )

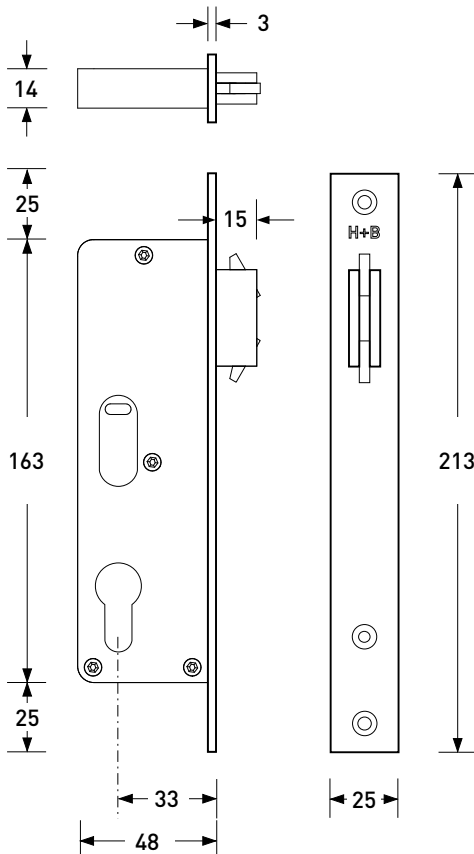
WT : Powder-Coated White ( by special order )

**standard HB 640 Set includes :**

- HB 640 Narrow Backset Lock Body
- 2 Flush Pulls w/ HB 604 Timber Fixing Kits
- Strike and Dust Box
- Spindle ( please specify door thickness )
- Fasteners

Full Profile Cylinder ( sold separately )

Lock body :



dustbox and strike plate



HB 604 Timber Fixing Kit



HB CLF 48 3-Pin DBL Cylinder  
( sold separately )