

**halliday  
baillie**

## HB 632

### SLIDING DOOR PATIO SET

The Halliday+Baillie HB 632 sliding door lock set is keyed on the inside only, for use where access from the exterior is not required when doors are locked. Sliding the snib on the inside operates the bolt unless the cylinder is engaged. The cylinder locks the snib; the key does not operate the bolt. The HB 632 requires a half profile cylinder.

backset : 55mm ( 2.17" )

minimum door thickness : 38mm ( 1.50" )

flush pulls : 250 ( 9.80" ) x 36 ( 1.41" ) x 14 ( .55" )

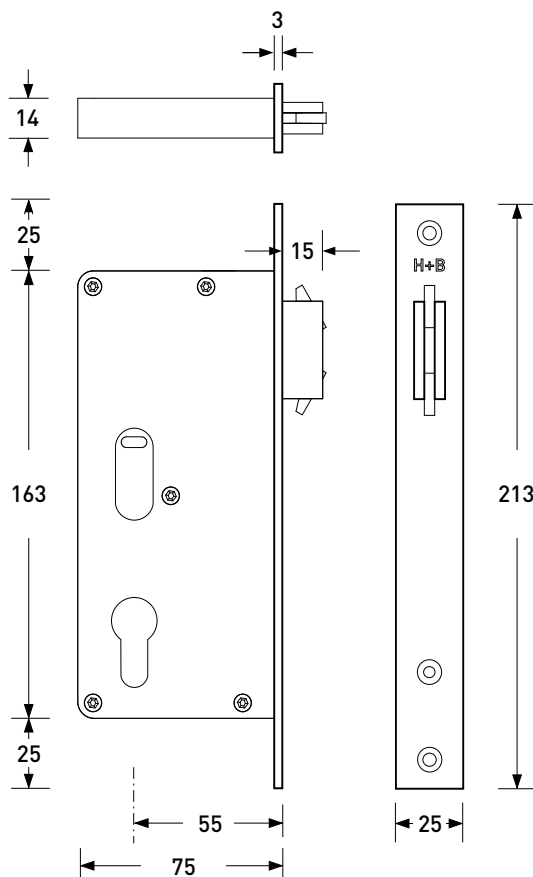
available in the following finishes :

- SC : Satin Chrome
- BC : Brushed Chrome
- PC : Polished Chrome
- BN : Brushed Nickel
- PN : Polished Nickel
- DB : Dark Bronze
- KC : Black Chrome ( by special order )
- WT : Powder-Coated White ( by special order )

standard HB 632 set includes :

- HB 630 Series Lock Body
- 2 Flush Pulls w/ HB 604 Timber Fixing Kits
- Strike and Dust Box
- Spindle ( please specify door thickness )
- Fasteners

Half Profile Cylinder ( sold separately )



Lock body:



dustbox and strike plate



HB 604 Timber Fixing Kit



HB CLF 48 3-Pin Half Cylinder  
( sold separately )