

**halliday  
baillie**

## HB 570 HANDRAIL BRACKET

The Halliday+Baillie HB 570 Handrail Bracket is designed for rectangular wood handrails.

This bracket is only suitable for interior or covered exterior situations. There is currently no all-stainless steel alternative for this model.

Includes all fasteners. Epoxy sold separately.

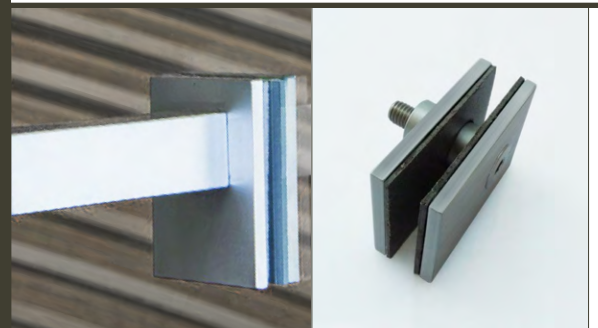
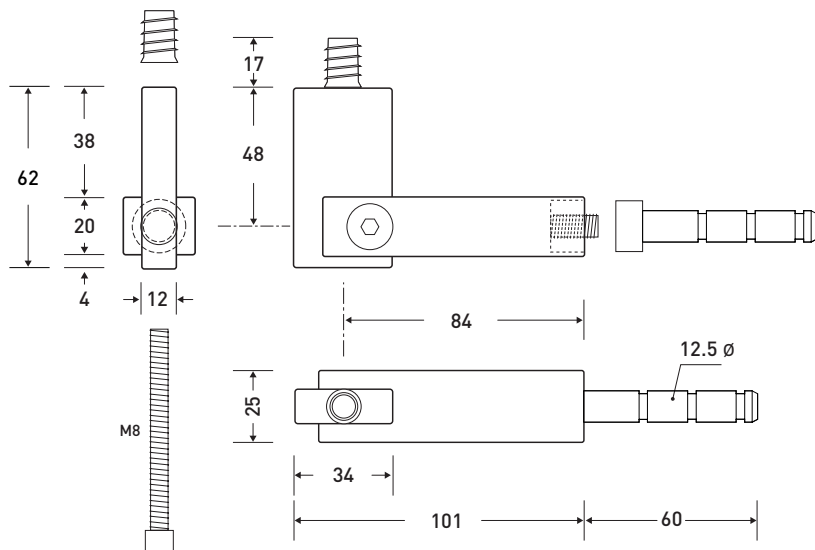
**material** : non-anodized aluminum alloy

**maximum spacing** : 800 mm ( 31.5" )

**available in the following finish** :

SC : Satin Chrome

Custom Finishes are available upon request.



## HB 542 Glass Fixing Kit for HB 570 Bracket

Please specify glass thickness.

**recommended glass boring** : 19mm ( .75" )

**available in the following finish** :

SC : Satin Chrome

