

halliday
baillie

HB 560 HANDRAIL BRACKET

The Halliday+Baillie HB 560 Handrail Bracket is designed for a 50mm (2") diameter wood handrails.

This bracket is only suitable for interior or covered exterior situations. There is currently no all-stainless steel alternative for this model.

Includes all fasteners. Epoxy sold separately.

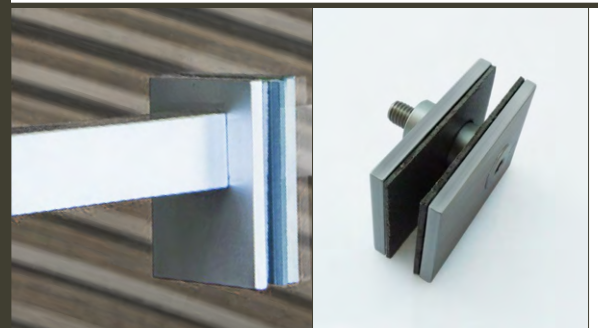
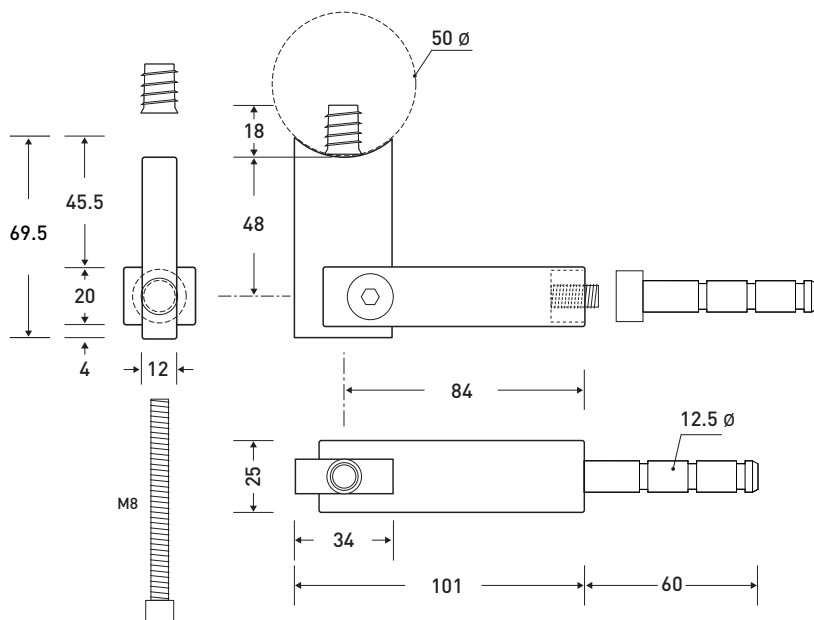
material : non-anodized aluminum alloy

maximum spacing : 800 mm (31.5")

available in the following finish :

SC : Satin Chrome

Custom Finishes are available upon request.



HB 542 Glass Fixing Kit for HB 560 Bracket

Please specify glass thickness.

recommended glass boring : 19mm (.75")

available in the following finish :

SC : Satin Chrome

