



**halliday
baillie**

HB 510 HANDRAIL BRACKET

The Halliday+Baillie HB 510 Handrail Bracket provides an adjustable solution for 30mm-50mm (1¼" to 2") diameter wood handrails.

Cast and machined from solid stainless steel, it is suitable for exterior situations.

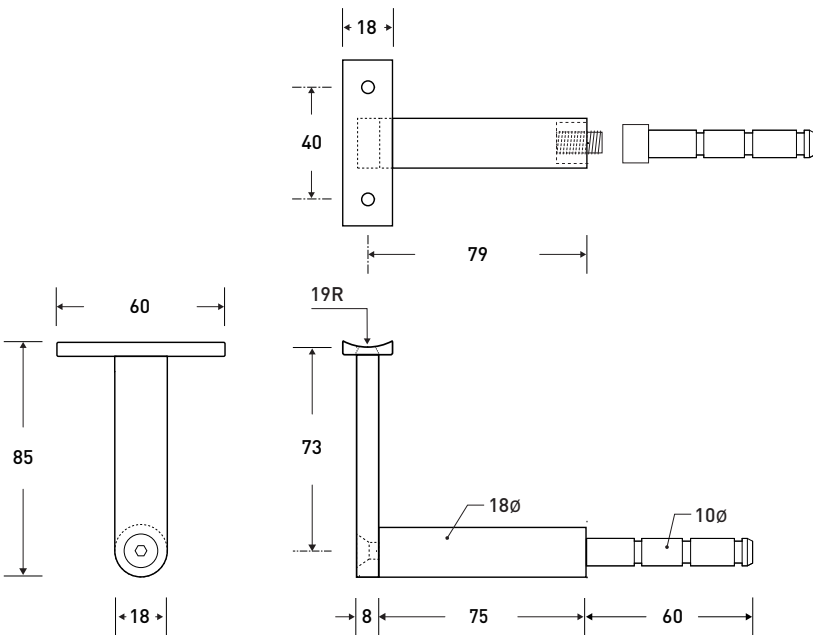
Includes all fasteners. Epoxy sold separately.

material : solid grade 316 stainless steel with stainless steel fasteners

maximum spacing : 800 mm (31.5")

available in the following finish :

SS : Satin Stainless Steel



HB 512 Glass Fixing Kit for HB 510 Bracket

Please specify glass thickness.

recommended glass boring : 19mm (.75")

available in the following finish :

SS : Satin Stainless Steel

