



**halliday
baillie**

HB 500 HANDRAIL BRACKET

The Halliday+Baillie HB 500 Handrail Bracket provides an adjustable solution for 30mm-50mm (1¼" to 2") diameter wood handrails.

Only suitable for interior or covered exterior situations. For exterior or marine environments, please specify the HB 510 stainless steel bracket.

Includes all fasteners. Epoxy sold separately.

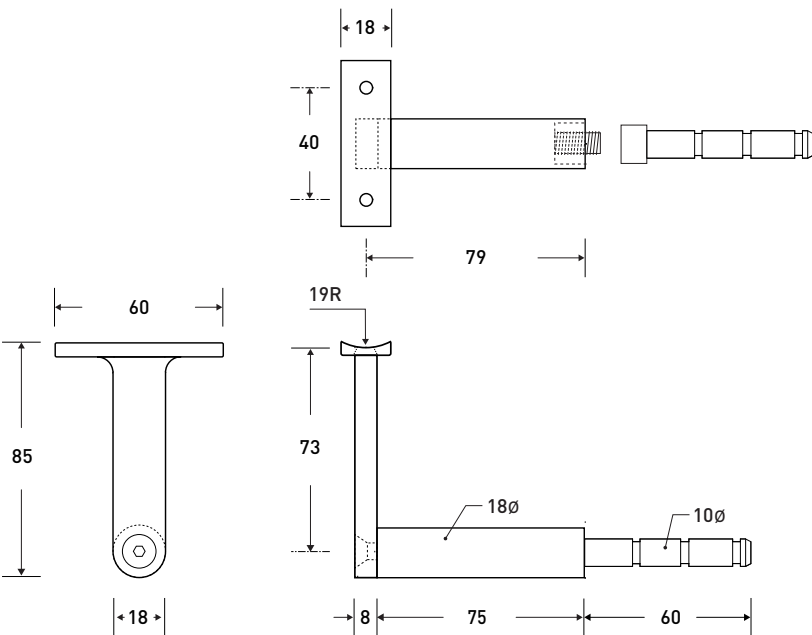
material : non-anodized aluminum alloy

maximum spacing : 800 mm (31.5")

available in the following finish :

SC : Satin Chrome

Custom Finishes are available upon request.



HB 502 Glass Fixing Kit for HB 500 Bracket

Please specify glass thickness.

recommended glass boring : 19mm (.75")

available in the following finish :

SC : Satin Chrome

